

Product Discontinuation Notices

June 1, 2011

Power Supplies

No. 2011163E

Discontinuation Notice of Switching Power Supply S82W-102/S82W-103 series

Product Discontinuation

Switching Power Supply



S82W-102
S82W-103

Recommended Replacement

Switching Power Supply

S8VS series

Discontinuation date : The end of April, 2011

Caution on recommended replacement

- The replacement of S82W-102 and S82W-103 are the S8VS series.
- Dimensions and Mounting Dimensions are different.
- The startup time becomes longer than previous models.
- The return methods after the output is cut off by the overload and the over voltage detection are different.
- Alarm output is changed to transistor output from relay output.

Difference from discontinued product

Model	Body Color	Dimensions	Wire connection	Mounting Dimensions	Characteristics	Operation ratings	Operation methods
S8VS series	--	--	--	--	*	*	*

** : Fully compatible

* : The change is a little/Almost compatible

-- : Not compatible

- : No corresponding specification

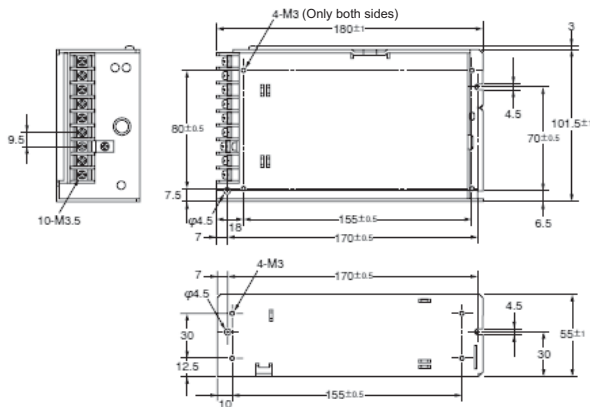
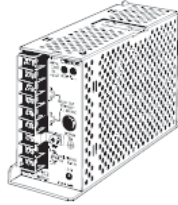
Product Discontinuation and recommended replacement

Product discontinuation				Recommended replacement			
Capacity	Output voltage	Output current	Model	Capacity	Output voltage	Output current	Model
60W	24V	2.5A	S82W-103	90W	24V	3.75A	S8VS-09024A /AP
120W	24V	5A	S82W-102	120W	24V	5A	S8VS-12024A/ AP

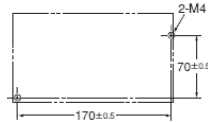
Dimensions / Mounting dimensions

Product discontinuation S82W-102 / S82W-103

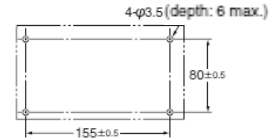
S82W-102
S82W-103



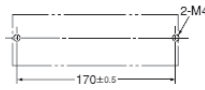
Mounting Holes
(Surface Screw Mounting)
Side-mounting



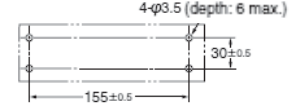
(Backside Screw Mounting)
Side-mounting



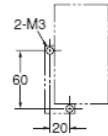
Bottom-mounting



Bottom-mounting

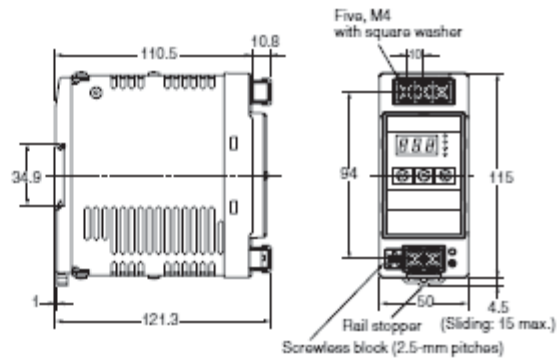


Front-mounting



Recommendable replacement S8VS series

S8VS-09024A/AP
S8VS-12024A/AP

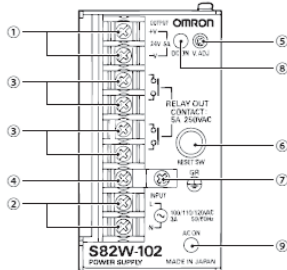


Note: The illustration is the S8VS-12024A model.

Terminal Arrangement / Wire Connection

Product discontinuation S82W-102 / S82W-103

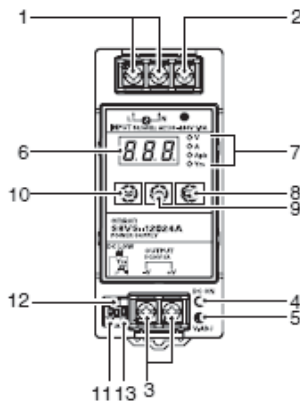
S82W-102
S82W-103



- ① **DC Output Terminals (+V), (-V):** Connect the load lines to these terminals.
- ② **AC Input Terminals (L), (N):** Connect the input lines to these terminals.
- ③ **Relay Output Terminals:** DC output will be in the ON mode on normal and the OFF mode on abnormal.
- ④ **ACG Terminals:** This terminal is a middle of the input filter. It is short circuited usually to the frame ground terminals by the short bar.
- ⑤ **Output Voltage Adjuster (V.ADJ):** It is possible to increase or decrease the output voltage.
- ⑥ **Reset switch:** The protection circuit is returned.
- ⑦ **Protective Earthing terminal (GR):** This terminal is short circuited to the frame and must be connected to a ground line.
- ⑧ **Output Indicator (DC ON):** Lights while DC voltage is being output.
- ⑨ **Input Indicator (AC ON):** Lights while AC voltage is being input.

Recommendable replacement S8VS series

S8VS-09024A/AP
S8VS-12024A/AP



No.	Name	Function	
1	AC Input terminals (L), (N)	Connect the input lines to these terminals.	
2	Protective Earth terminal (PE)	Connect the ground line to this terminal.	
3	DC Output terminals (-V), (+V)	Connect the load lines to these terminals.	
4	Output indicator (DC ON: Green)	Lights while a direct current (DC) output is ON.	
5	Output voltage adjuster (V.ADJ)	Use to adjust the voltage.	
6	Main display (Red)	Indicates the measurement or set value.	
7	Operation indicator (Orange)	V	Lights up when the output voltage is indicated. Blinks during setup of undervoltage alarm value.
		A	Lights up during indication of output current.
		Apk	Lights up during indication of peak hold current.
		Yrs	Lights up during indication of maintenance forecast monitor. Blinks during setup of maintenance forecast monitor setting. (S8VS-□□□24A□)
8	Mode Key	kh	Lights up during indication of total run time monitor. Blinks during setup of total run time monitor. (S8VS-□□□24B□)
			Use the Mode Key to change the indicated parameter or reset the peak hold current value.
9	Up Key	Use the Up Key to change to the setting mode or to increase the set value.	
10	Down Key	Use the Down Key to change to the setting mode or to decrease the set value.	
11	Alarm outputs *1	Undervoltage output terminal (DC Low) Output when a drop is detected in the output voltage (voltage drop = transistor OFF).	
12	Maintenance Forecast output terminal (Yrs) *2		Output when the set value for maintenance is reached (transistor OFF).
		Total run time output terminal (kh)	Output when the set value for total run time is reached (transistor OFF).
13	Common terminal	Common terminal (emitter) for terminals 11 and 12.	

*1. S8VS-□□□24A : sinking type, S8VS-□□□24AP : sourcing type
*2. S8VS-□□□24A/AP do not have this function.

Characteristics

	Product discontinuation S82W-102 / S82W-103	Recommendable replacement S8VS series
Input voltage	85 to 132VAC	100 to 240 VAC. (85 to 264VAC)
Inrush current (for a cold start at 25°C)	25 A max. (100VAC input)	25 A max. (100VAC input) 50 A max. (200VAC input)
Startup time	200 ms max.	1000 ms max.
Hold time	20 ms min.	20 ms min.
Overload protection	105% min. of rated load current, Cutoff type, Return by the reset switch.	S8VS-09024A/AP: 105 to 160% of rated load current, voltage drop, intermittent, automatic reset S8VS-12024A/AP: 105 to 160% of rated load current, voltage drop, automatic reset
Over voltage protection	Cutoff type Return by the reset switch.	Cutoff type Turn OFF the input power for three minutes or longer and then turn it back ON.
Alarm output	Relay output 2a contact point 250VAC 3A Resistance load Over voltage / Overload alarm output terminals	Transistor output 30 VDC max., 50 mA max. Under voltage alarm output terminals, Maintenance forecast monitor output
Shock resistance	294 m/s ² , 3 times each in $\pm X$, $\pm Y$, $\pm Z$ directions	150 m/s ² , 3 times each in $\pm X$, $\pm Y$, $\pm Z$ directions

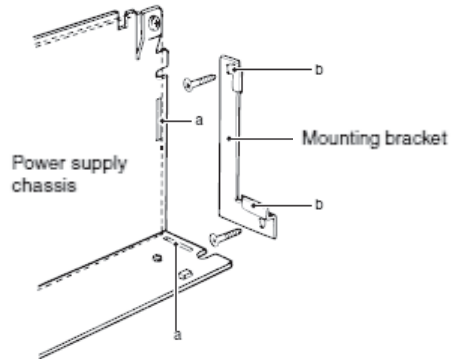
**Product discontinuation
S82W-102 / S82W-103**

Accessories (Order Separately)

Front Mounting

Attach the enclosed Mounting Bracket temporarily to the mounting surface, the hook the rectangular holes on the Power Supply (a) on the hooks on the Bracket (b), and then tighten the two mounting screws.

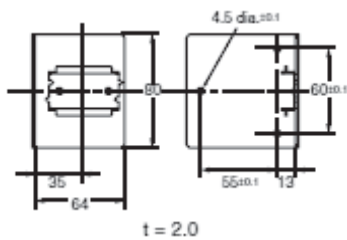
Note: The mounting screws are not included.



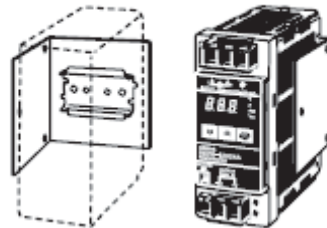
**Recommendable replacement
S8VS series**

Option (Order Separately)

Side-mounting Bracket : S82Y-VS10S



Left-side mounting Right-side mounting



Front-mounting Bracket : S82Y-VS10F

