

Product Discontinuation Notices

October 1, 2009

Programmable Terminals

No. 2009227E

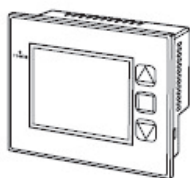
Information about production end of programmable terminal NP3 Series

Product Discontinuation

NP3 series Main body

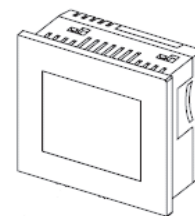


NP3-MQ000
NP3-MQ000B
NP3-MQ001
NP3-MQ001B



Recommended Replacement

NV3Q-MR21 (for RS-232C)
NV3Q-MR41 (for RS-422A/485)



Discontinuation date : The end of August, 2010

Caution on recommended replacement

Out shape and mounting dimension of NV3Q is smaller than NP3, but by using special attachment, (model NV3Q-ATT02), you can mount NV3Q into NP3 panel cut out hole.
 As some differences are exist such as front case color etc., please refer this document and related manuals for each model to change the screen data or PLC program.

Manuals:

NP series User's manual (V096-E1)
 NP series Host connection manual (V102-E1)
 NV series Set up manual (V103-E1)
 NV series Programming manual (V104-E1)
 NV series Host connection manual (V105-E1)

Difference from discontinued product

Model	Body Color	Dimensions	Wire connection	Inst.	Perfo.	Char.	Oper.
NV3Q-MR[]1	**	--	--	--	*	--	*

** : Fully compatible

* : The change is a little/Almost compatible

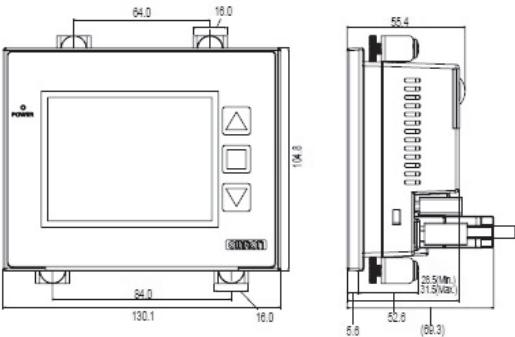
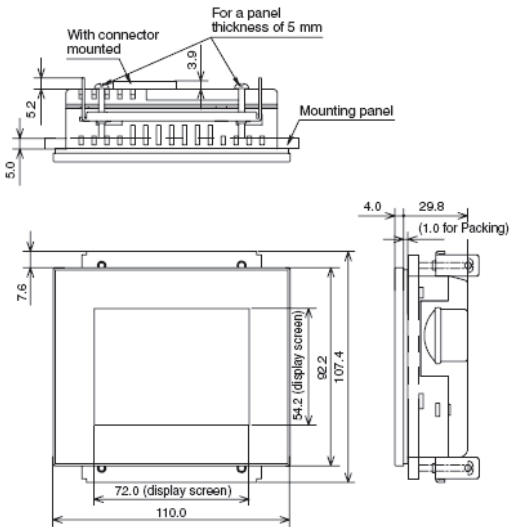
-- : Not compatible

- : No corresponding specification

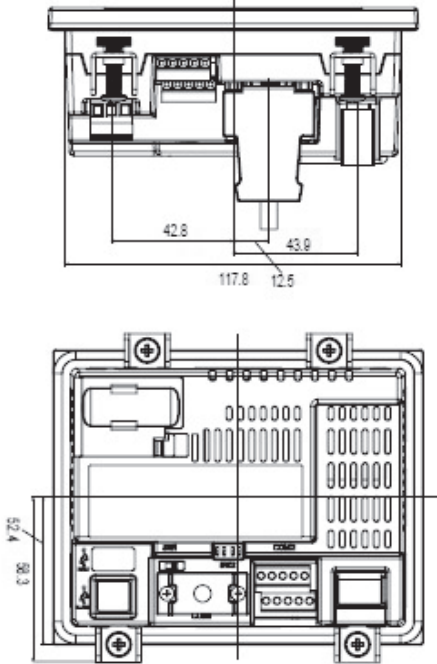
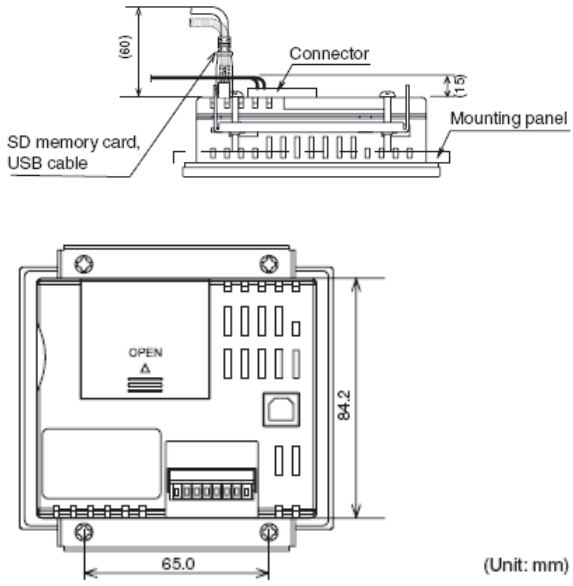
Product Discontinuation and recommended replacement

Product discontinuation	Recommended replacement
NP3-MQ000	NV3Q-MR21(for RS-232C)
NP3-MQ000B	NV3Q-MR41(for RS-422A/485)
NP3-MQ001	
NP3-MQ001B	

Dimensions

Product discontinuation NP3-MQ00[(B)]	Recommendable replacement NV3Q-MR[(1)]
<p>130.1(W)x104.8(H)x55.4(D) (mm)</p>  <p>Technical drawings of NP3-MQ00[(B)] showing front and side views. The front view shows a rectangular device with a display screen and control buttons. Dimensions include a width of 130.1 mm, a height of 104.8 mm, and a depth of 55.4 mm. Specific mounting dimensions are 64.0 mm, 18.0 mm, and 18.0 mm. The side view shows a depth of 55.4 mm, a mounting panel thickness of 5.0 mm, and a connector height of 3.0 mm. Other dimensions include 6.8 mm, 52.8 mm, and (68.3) mm.</p>	<p>110(W)x92.2(H)x33.8(D) (mm)</p>  <p>Technical drawings of NV3Q-MR[(1)] showing front and side views. The front view shows a rectangular device with a display screen. Dimensions include a width of 110.0 mm, a height of 92.2 mm, and a depth of 33.8 mm. The display screen dimensions are 72.0 mm (width) and 54.2 mm (height). The overall height including the mounting panel is 107.4 mm. The side view shows a depth of 33.8 mm, a mounting panel thickness of 5.0 mm, and a connector height of 3.0 mm. Other dimensions include 4.0 mm, 29.8 mm, and (1.0 for Packing) mm. Labels include 'With connector mounted', 'For a panel thickness of 5 mm', and 'Mounting panel'.</p>

Pin arrangement/ Wiring

Product discontinuation NP3-MQ00[(B)	Recommendable replacement NV3Q-MR[(1
 <p>PS stranded wires in terminal block RS-232C D-Sub connector RS-422A/485 stranded wires</p>	 <p>(Unit: mm)</p> <p>PS stranded wires in terminal block RS-232C (MR21) RS-422A/485 (MR41) both stranded wires in terminal block</p>

Panel cutout

Product discontinuation NP3-MQ00[(B)	Recommendable replacement NV3Q-MR[(1
<p>Panel cutout: 118.5(W)x92.5(H) (mm)</p>	<p>99.2(W)x85.2(H) (mm) * It can be mounted on an existing panel cutting by using an attachment type NV3Q-ATT02.</p>

Rating performance

Product discontinuation NP3-MQ00[] (B)	Recommendable replacement NV3Q-MR[]1
<p>Current consumption: 12Wmax. (DC 24V)</p> <p>Display device: 3.8" monochrome STN LCD with 8 gray scales</p> <p>Resolution: 320x240 (QVGA)</p> <p>Case color: Silver or black</p> <p>Interface: x2 Host communication ports RS-232C x1, RS-422A/485 x1</p> <p>x1 Tool communication port USB 1.1 Type-B (slave)</p> <p>Memory device interface USB 1.1 Type-A (Host) USB flash memory</p> <p>Function keys 3(NP3-MQ000(B)), 6(NP3-MQ001(B))</p> <p>Battery: including at factory shipping.</p>	<p>2.4W max. (DC 24V)</p> <p>3.6" monochrome STN LCD without gray scale</p> <p>320x240 (QVGA)</p> <p>Black only</p> <p>RS-232C x1 (NV3Q-MR21) or RS-422A/485 x1 (NV3Q-MR41)</p> <p>USB 1.1 Type-B (slave)</p> <p>SD memory card</p> <p>None</p> <p>Optional (NV-BAT01) (without shipping: using clock, inner memory, alarm)</p>

Operating characteristic

Product discontinuation NP3-MQ00[] (B)	Recommendable replacement NV3Q-MR[]1
<p>Supported communication methods</p> <p>Host Link (OMRON) NT link (1to1,1toN) EJ1 (Compoway/F) Mitsubishi Panasonic Keyence Allen-Bradley GE-Fanuc Siemens Schneider (Modicon) LG(LS) Modbus (Master/ Slave) NULL</p> <p>(for detail, please refer NP series host connection manual)</p>	<p>Host Link (OMRON)</p> <p>-</p> <p>-</p> <p>Mitsubishi</p> <p>Panasonic</p> <p>Keyence</p> <p>Allen-Bradley</p> <p>-</p> <p>Siemens</p> <p>-</p> <p>LG</p> <p>Modbus (Master)</p> <p>-</p> <p>Toshiba</p> <p>Yokokawa (for detail, please refer Hitachi NV series host connection manual)</p>

Design Environment

Product discontinuation NP3-MQ00[] (B)	Recommendable replacement NV3Q-MR[]1
Support tool (Screen designer) NP-NPDC0-V1 (NP-Designer)	NV-Designer (No compatibility with NP-Designer) NV-Designer is included in CX-ONE 3.2/ CX-ONE Lite 4.0 or after. It can be also downloaded via internet by CX-ONE auto update system.
<p>Screen data for NP3 cannot be reused directly to NV3Q because of using different support tool. Please refer original NP3 data and remake NV screen data by NV-Designer. At remaking screen data, some adjustments may be needed to adopt NP3 operations.</p> <p>Communication interface between PLC and PT such as PT control area, notify area or status area or so, is different between NP3 and NV3Q. So application program on PLC should be changed. For detail, please refer NP series users manual and NV series programming manual.</p> <p>Please read "NV series programming manual" (V104-E1) in detail before modification of screen data or adjustment of PLC program data.</p>	