

Product Discontinuation Notices

March 2, 2009

Solid-state Relays

No.2009073E

Solid State Relays (Single-phase)
Solid State Contactors (Three-phase)

G3PB series
G3PB-2(N)/-3(N) series

Product Discontinuation

Solid State Relays
Solid State contactors

Recommended Replacement

Solid State Relays
Solid State contactors



G3PB series
G3PB-2(N)/-3(N) series

G3PE series
G3PE-2(N)/-3(N) series

Discontinuation date : The end of March, 2010

Caution on recommended replacement

- The shape of terminal cover is a little different
- The height is 3.5mm taller. (G3PB-□□□B-2(H)(N)-VD and G3PB-□□□B-3(H)(N)-VD series only)
- UL and CSA have not been approved yet. (Except G3PB-2B-VD single-phase models)
- UL derating spec. is needed.
(G3PB-435B-3-VD, G3PB-445B-3-VD, G3PB-535B-3N-VD and G3PB-545B-3N-VD only)

Difference from discontinued product

Model	Body Color	Dimensions	Wire connection	Mounting Dimensions	Characteristics	Operation ratings	Operation methods
G3PE	**	**	*	**	**	**	**
G3PE-2(N)/-3(N)	**	**	*	**	**	**	**

** : Fully compatible

* : The change is a little/Almost compatible

-- : Not compatible

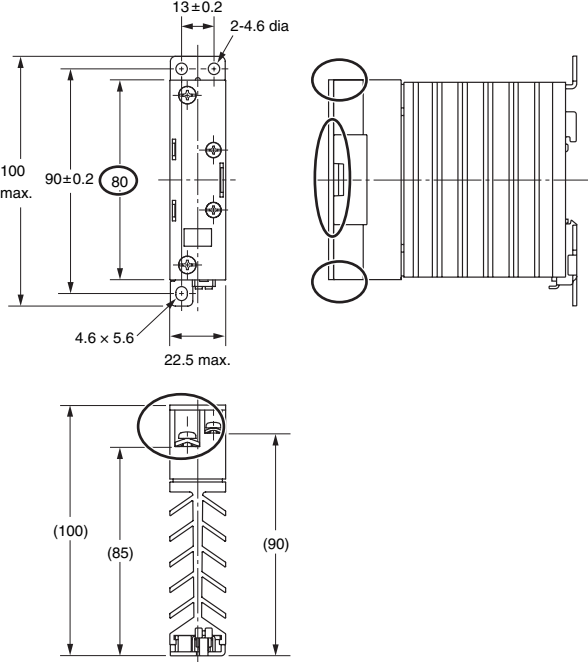
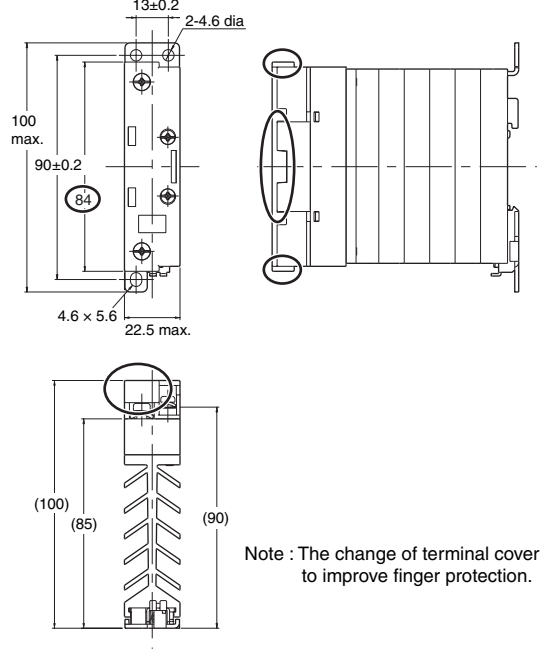
- : No corresponding specification

Product Discontinuation and recommended replacement

Product discontinuation (G3PB)	Recommended replacement (G3PE)	Product discontinuation (G3PB)	Recommended replacement (G3PE)
G3PB-215B-VD DC12-24	G3PE-215B DC12-24	G3PB-515B-2N-VD DC12-24	G3PE-515B-2N DC12-24
G3PB-225B-VD DC12-24	G3PE-225B DC12-24	G3PB-525B-2N-VD DC12-24	G3PE-525B-2N DC12-24
G3PB-235B-VD DC12-24	G3PE-235B DC12-24	G3PB-535B-2N-VD DC12-24	G3PE-535B-2N DC12-24
G3PB-245B-VD DC12-24	G3PE-245B DC12-24	G3PB-545B-2N-VD DC12-24	G3PE-545B-2N DC12-24
G3PB-515B-VD DC12-24	G3PE-515B DC12-24	G3PB-515B-3N-VD DC12-24	G3PE-515B-3N DC12-24
G3PB-525B-VD DC12-24	G3PE-525B DC12-24	G3PB-525B-3N-VD DC12-24	G3PE-525B-3N DC12-24
G3PB-535B-VD DC12-24	G3PE-535B DC12-24	G3PB-535B-3N-VD DC12-24	G3PE-535B-3N DC12-24
G3PB-545B-VD DC12-24	G3PE-545B DC12-24	G3PB-545B-3N-VD DC12-24	G3PE-545B-3N DC12-24
G3PB-215B-2-VD DC12-24	G3PE-215B-2 DC12-24	G3PB-215B-2H-VD DC12-24	G3PE-215B-2H DC12-24
G3PB-225B-2-VD DC12-24	G3PE-225B-2 DC12-24	G3PB-225B-2H-VD DC12-24	G3PE-225B-2H DC12-24
G3PB-235B-2-VD DC12-24	G3PE-235B-2 DC12-24	G3PB-235B-2H-VD DC12-24	G3PE-235B-2H DC12-24
G3PB-245B-2-VD DC12-24	G3PE-245B-2 DC12-24	G3PB-245B-2H-VD DC12-24	G3PE-245B-2H DC12-24
G3PB-215B-3-VD DC12-24	G3PE-215B-3 DC12-24	G3PB-215B-3H-VD DC12-24	G3PE-215B-3H DC12-24
G3PB-225B-3-VD DC12-24	G3PE-225B-3 DC12-24	G3PB-225B-3H-VD DC12-24	G3PE-225B-3H DC12-24
G3PB-235B-3-VD DC12-24	G3PE-235B-3 DC12-24	G3PB-235B-3H-VD DC12-24	G3PE-235B-3H DC12-24
G3PB-245B-3-VD DC12-24	G3PE-245B-3 DC12-24	G3PB-245B-3H-VD DC12-24	G3PE-245B-3H DC12-24
G3PB-415B-2-VD DC12-24	G3PE-515B-2 DC12-24	G3PB-415B-2H-VD DC12-24	G3PE-515B-2H DC12-24
G3PB-425B-2-VD DC12-24	G3PE-525B-2 DC12-24	G3PB-425B-2H-VD DC12-24	G3PE-525B-2H DC12-24
G3PB-435B-2-VD DC12-24	G3PE-535B-2 DC12-24	G3PB-435B-2H-VD DC12-24	G3PE-535B-2H DC12-24
G3PB-445B-2-VD DC12-24	G3PE-545B-2 DC12-24	G3PB-445B-2H-VD DC12-24	G3PE-545B-2H DC12-24
G3PB-415B-3-VD DC12-24	G3PE-515B-3 DC12-24	G3PB-415B-3H-VD DC12-24	G3PE-515B-3H DC12-24
G3PB-425B-3-VD DC12-24	G3PE-525B-3 DC12-24	G3PB-425B-3H-VD DC12-24	G3PE-525B-3H DC12-24
G3PB-435B-3-VD DC12-24	G3PE-535B-3 DC12-24	G3PB-435B-3H-VD DC12-24	G3PE-535B-3H DC12-24
G3PB-445B-3-VD DC12-24	G3PE-545B-3 DC12-24	G3PB-445B-3H-VD DC12-24	G3PE-545B-3H DC12-24
G3PB-215B-2N-VD DC12-24	G3PE-215B-2N DC12-24	G3PB-515B-2H-VD DC12-24	G3PE-515B-2H DC12-24
G3PB-225B-2N-VD DC12-24	G3PE-225B-2N DC12-24	G3PB-525B-2H-VD DC12-24	G3PE-525B-2H DC12-24
G3PB-235B-2N-VD DC12-24	G3PE-235B-2N DC12-24	G3PB-535B-2H-VD DC12-24	G3PE-535B-2H DC12-24
G3PB-245B-2N-VD DC12-24	G3PE-245B-2N DC12-24	G3PB-545B-2H-VD DC12-24	G3PE-545B-2H DC12-24
G3PB-215B-3N-VD DC12-24	G3PE-215B-3N DC12-24	G3PB-515B-3H-VD DC12-24	G3PE-515B-3H DC12-24
G3PB-225B-3N-VD DC12-24	G3PE-225B-3N DC12-24	G3PB-525B-3H-VD DC12-24	G3PE-525B-3H DC12-24
G3PB-235B-3N-VD DC12-24	G3PE-235B-3N DC12-24	G3PB-535B-3H-VD DC12-24	G3PE-535B-3H DC12-24
G3PB-245B-3N-VD DC12-24	G3PE-245B-3N DC12-24	G3PB-545B-3H-VD DC12-24	G3PE-545B-3H DC12-24

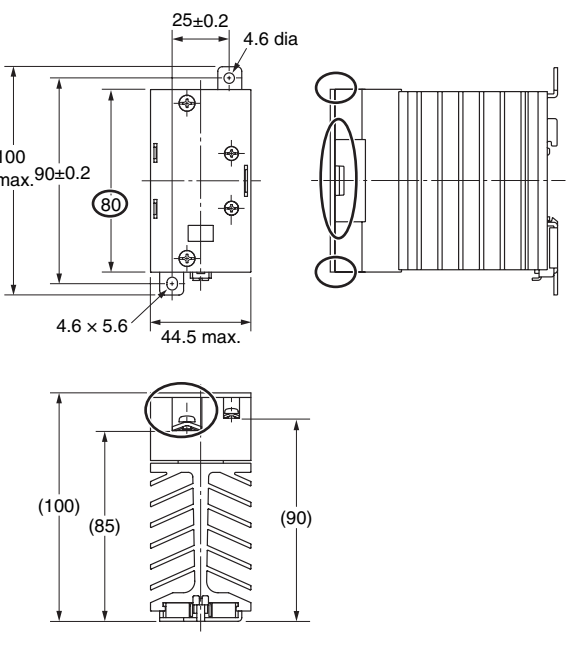
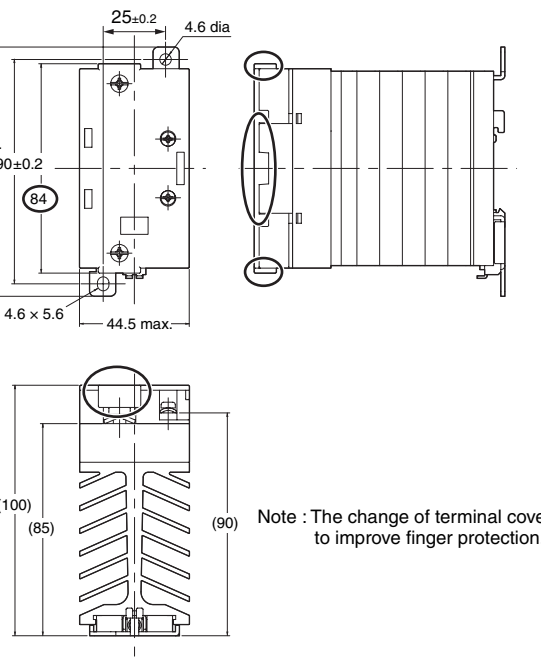
Dimensions

(Relevant model : G3PB-215B/225B/515B/-VD)

Product discontinuation	Recommendable replacement
	 <p>Note : The change of terminal cover to improve finger protection.</p>

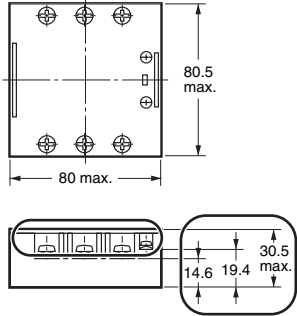
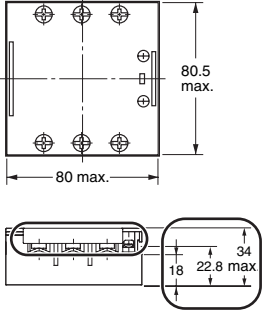
Dimensions

(Relevant model : G3PB-235B/245B/535B/545B-VD)

Product discontinuation	Recommendable replacement
	 <p>Note : The change of terminal cover to improve finger protection.</p>

Dimensions

(Relevant model : G3PB-2□□B-2(H)(N)-VD, G3PB-2□□B-3(H)(N)-VD,
G3PB-4□□B-2(H)-VD, G3PB-4□□B-3(H)-VD
G3PB-5□□B-2(H)(N)-VD and G3PB-5□□B-3(H)(N)-VD)

Product discontinuation	Recommendable replacement
	 <p>Note 1) The change of terminal cover to improve finger protection. Note 2) Height change.</p>
<p>Size of heat-sink is the same</p>	

Characteristics

(Relevant model : G3PB-4□□B-2(H)-VD and G3PB-4□□B-3(H)-VD)

Product discontinuation	Recommendable replacement
<ol style="list-style-type: none"> Rated load voltage : AC200V~400V(50/60Hz) Load voltage range : AC180V~440V(50/60Hz) 	<ol style="list-style-type: none"> AC200V~480V(50/60Hz) AC180V~528V(50/60Hz)

Characteristics

(Relevant model : G3PB-445B-3-VD, G3PB-435B-3-VD, G3PB-545B-3N-VD
and G3PB-535B-3N-VD)

Product discontinuation	Recommendable replacement																																				
<p>Load Current vs. Ambient Temperature</p> <table border="1"> <caption>Data for Discontinued Models</caption> <thead> <tr> <th>Ambient Temperature (°C)</th> <th>G3PB-445B-3-VD, G3PB-545B-3N-VD (A)</th> <th>G3PB-435B-3-VD, G3PB-535B-3N-VD (A)</th> </tr> </thead> <tbody> <tr> <td>-30 to 25</td> <td>45</td> <td>30</td> </tr> <tr> <td>25 to 80</td> <td>45</td> <td>30</td> </tr> <tr> <td>80</td> <td>18</td> <td>14</td> </tr> </tbody> </table>	Ambient Temperature (°C)	G3PB-445B-3-VD, G3PB-545B-3N-VD (A)	G3PB-435B-3-VD, G3PB-535B-3N-VD (A)	-30 to 25	45	30	25 to 80	45	30	80	18	14	<p>1. Non UL certification spec. Note: The same spec. as the present model.</p> <table border="1"> <caption>Data for Recommendable Replacement (Non-UL)</caption> <thead> <tr> <th>Ambient Temperature (°C)</th> <th>G3PE-545B-3(N) (A)</th> <th>G3PE-535B-3(N) (A)</th> </tr> </thead> <tbody> <tr> <td>-30 to 25</td> <td>45</td> <td>30</td> </tr> <tr> <td>25 to 80</td> <td>45</td> <td>30</td> </tr> <tr> <td>80</td> <td>18</td> <td>14</td> </tr> </tbody> </table> <p>2. UL certification spec.(Draft) Note : UL certification process is proceeding with the spec. below. (UL has not been approved yet.)</p> <table border="1"> <caption>Data for Recommendable Replacement (UL Derating)</caption> <thead> <tr> <th>Ambient Temperature (°C)</th> <th>G3PE-545B-3(N) (A)</th> <th>G3PE-535B-3(N) (A)</th> </tr> </thead> <tbody> <tr> <td>-30 to 25</td> <td>45</td> <td>30</td> </tr> <tr> <td>25 to 80</td> <td>45</td> <td>30</td> </tr> <tr> <td>80</td> <td>12</td> <td>12</td> </tr> </tbody> </table> <p>< UL derating spec. ></p>	Ambient Temperature (°C)	G3PE-545B-3(N) (A)	G3PE-535B-3(N) (A)	-30 to 25	45	30	25 to 80	45	30	80	18	14	Ambient Temperature (°C)	G3PE-545B-3(N) (A)	G3PE-535B-3(N) (A)	-30 to 25	45	30	25 to 80	45	30	80	12	12
Ambient Temperature (°C)	G3PB-445B-3-VD, G3PB-545B-3N-VD (A)	G3PB-435B-3-VD, G3PB-535B-3N-VD (A)																																			
-30 to 25	45	30																																			
25 to 80	45	30																																			
80	18	14																																			
Ambient Temperature (°C)	G3PE-545B-3(N) (A)	G3PE-535B-3(N) (A)																																			
-30 to 25	45	30																																			
25 to 80	45	30																																			
80	18	14																																			
Ambient Temperature (°C)	G3PE-545B-3(N) (A)	G3PE-535B-3(N) (A)																																			
-30 to 25	45	30																																			
25 to 80	45	30																																			
80	12	12																																			

Safety standard

(Relevant model : G3PB-5□□B-VD,G3PB-2□□B-2(H)(N)-VD,
G3PB-2□□B-3(H)(N)-VD,G3PB-4□□B-2(H)-VD,
G3PB-4□□B-3(H)-VD,G3PB-5□□B-2(H)(N)-VD
and G3PB-5□□B-3(H)(N)-VD)

Product discontinuation	Recommendable replacement
UL,CSA and EN (VDE) approval	<ul style="list-style-type: none">• EN (TÜV) approval• UL and CSA have not been approved yet (Now, certification process is proceeding.)

RoHS

(Relevant model : All models, except G3PB-215B-VD and G3PB-225B-VD)

Product discontinuation	Recommendable replacement
No RoHS conformance	RoHS conformance

Note : G3PB-215B-VD and G3PB-225B-VD are RoHS conformance models.