

Product Discontinuation Notices

August 1, 2011

Photomicro Sensors

No. 2011259E

Discontinuation Notice of Photomicrosensors EE-SX77[] /87[] Connector series

Product Discontinuation



EE-SX77[]-ECON []M series
 EE-SX77[]A-ECON []M series
 EE-SX87[]-ECON []M series
 EE-SX87[]A-ECON []M series



Recommended Replacement

EE-SX77[] 2M series + E-CON
 EE-SX77[]A 2M series + E-CON
 EE-SX87[] 2M series + E-CON
 EE-SX87[]A 2M series + E-CON

Discontinuation date : The end of March, 2012

Caution on recommended replacement

Detecting characteristics and dimension of the main body are completely same.
 Therefore customers can be used Recommended Replacement by customer's own processing of connector only.
 Recommended connector : XN2A-1470 (OMRON)

Difference from discontinued product

Model	Body Color	Dimensions	Wire connection	Mounting Dimensions	Characteristics	Operation ratings	Operation methods
EE-SX77[] 2M	**	*	*	**	**	**	**
EE-SX77[]A 2M	**	*	*	**	**	**	**
EE-SX87[] 2M	**	*	*	**	**	**	**
EE-SX87[]A 2M	**	*	*	**	**	**	**

** : Fully compatible

* : The change is a little/Almost compatible

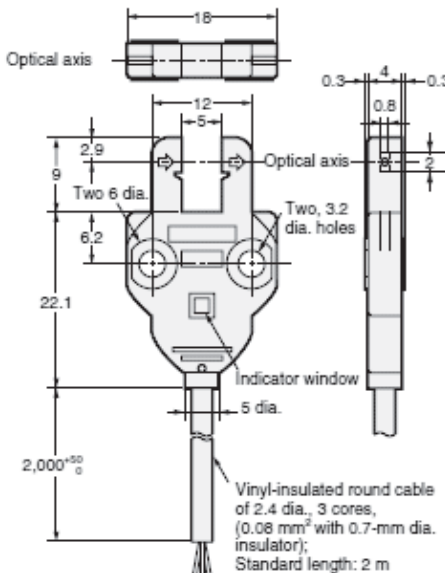
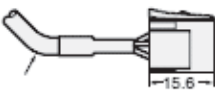
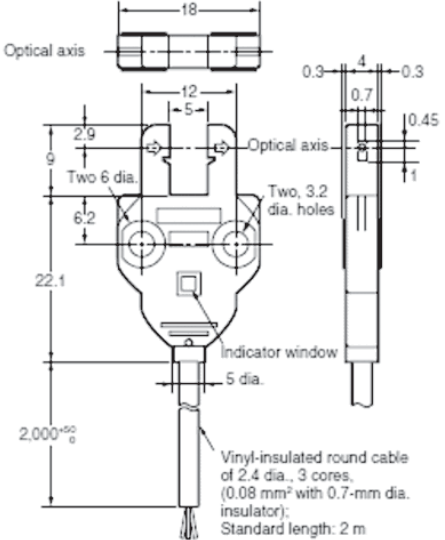
-- : Not compatible

- : No corresponding specification

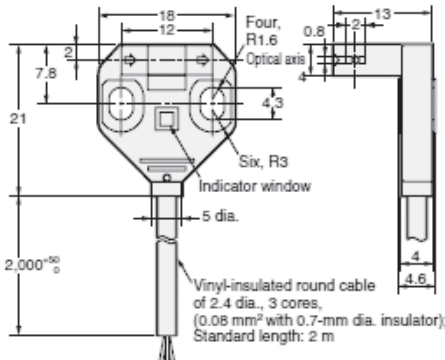
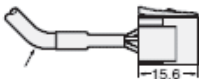
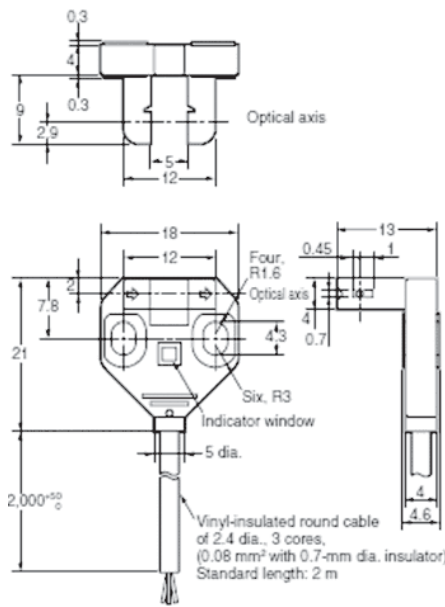
Product Discontinuation and recommended replacement

Product discontinuation	Recommended replacement
EE-SX770-ECON 0.3M	EE-SX770 2M
EE-SX770-ECON 2M	
EE-SX770A-ECON 0.3M	EE-SX770A 2M
EE-SX770A-ECON 2M	
EE-SX771-ECON 0.3M	EE-SX771 2M
EE-SX771-ECON 2M	
EE-SX771A-ECON 0.3M	EE-SX771A 2M
EE-SX771A-ECON 2M	
EE-SX772-ECON 0.3M	EE-SX772 2M
EE-SX772-ECON 2M	
EE-SX772A-ECON 0.3M	EE-SX772A 2M
EE-SX772A-ECON 2M	
EE-SX870-ECON 0.3M	EE-SX870 2M
EE-SX870-ECON 2M	
EE-SX870A-ECON 0.3M	EE-SX870A 2M
EE-SX870A-ECON 2M	
EE-SX871-ECON 0.3M	EE-SX871 2M
EE-SX871-ECON 2M	
EE-SX871A-ECON 0.3M	EE-SX871A 2M
EE-SX871A-ECON 2M	
EE-SX872-ECON 0.3M	EE-SX872 2M
EE-SX872-ECON 2M	
EE-SX872A-ECON 0.3M	EE-SX872A 2M
EE-SX872A-ECON 2M	

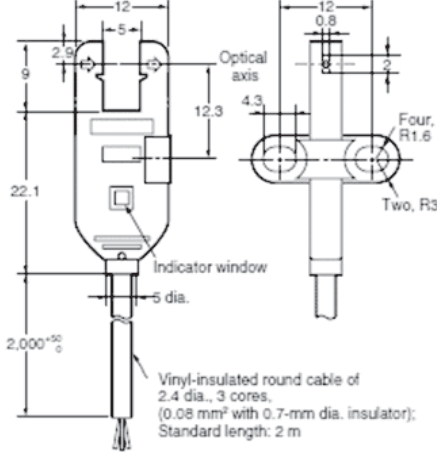
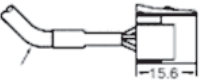
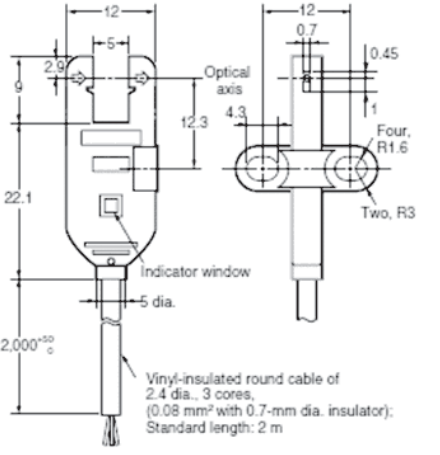

Dimensions

Product discontinuation	Recommendable replacement
<p>EE-SX770-ECON □M / EE-SX770A-ECON □M EE-SX870-ECON □M / EE-SX870A-ECON □M</p>  <p>Vinyl-insulated round cable of 2.4 dia., 3 cores, (0.08 mm² with 0.7-mm dia. insulator); Standard length: 2 m</p> <p>e-CON Junction Connector EE-SX□□□-ECON</p>  <p>Vinyl-insulated round cable of 2.4 dia., 3 cores: 0.3/2 m</p>	<p>EE-SX770 2M / EE-SX770A 2M EE-SX870 2M / EE-SX870A 2M</p>  <p>Vinyl-insulated round cable of 2.4 dia., 3 cores, (0.08 mm² with 0.7-mm dia. insulator); Standard length: 2 m</p>

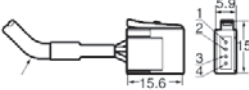

Dimensions

Product discontinuation	Recommendable replacement
<p>EE-SX771-ECON □M / EE-SX771A-ECON □M EE-SX871-ECON □M / EE-SX871A-ECON □M</p>  <p>Vinyl-insulated round cable of 2.4 dia., 3 cores, (0.08 mm² with 0.7-mm dia. insulator); Standard length: 2 m</p> <p>e-CON Junction Connector EE-SX□□□-ECON</p>  <p>Vinyl-insulated round cable of 2.4 dia., 3 cores: 0.3/2 m</p>	<p>EE-SX771 2M / EE-SX771A 2M EE-SX871 2M / EE-SX871A 2M</p>  <p>Vinyl-insulated round cable of 2.4 dia., 3 cores, (0.08 mm² with 0.7-mm dia. insulator) Standard length: 2 m</p>

Dimensions

Product discontinuation	Recommendable replacement
<p>EE-SX772-ECON □M / EE-SX772A-ECON □M EE-SX872-ECON □M / EE-SX872A-ECON □M</p>  <p>e-CON Junction Connector EE-SX□□□-ECON</p>  <p>Vinyl-insulated round cable of 2.4 dia., 3 cores: 0.3/2 m</p>	<p>EE-SX772 2M / EE-SX772A 2M EE-SX872 2M / EE-SX872A 2M</p>  <p>e-CON Junction Connector EE-SX□□□ 2M</p>  <p>Vinyl-insulated round cable of 2.4 dia., 3 cores: 0.3/2 m</p>

Wire connection

Product discontinuation	Recommendable replacement																		
<p>EE-SX77□-ECON □M / EE-SX77□A-ECON □M EE-SX87□-ECON □M / EE-SX87□A-ECON □M</p> <p>e-CON Junction Connector EE-SX□□□-ECON</p>  <p>Vinyl-insulated round cable of 2.4 dia., 3 cores: 0.3/2 m</p> <table border="1" data-bbox="558 1579 710 1758"> <thead> <tr> <th>Terminal</th> <th>Specifications</th> </tr> </thead> <tbody> <tr> <td>1</td> <td>+V</td> </tr> <tr> <td>2</td> <td>---</td> </tr> <tr> <td>3</td> <td>0V</td> </tr> <tr> <td>4</td> <td>Output</td> </tr> </tbody> </table>	Terminal	Specifications	1	+V	2	---	3	0V	4	Output	<p>EE-SX77□ 2M / EE-SX77□A 2M EE-SX87□ 2M / EE-SX87□A 2M</p>  <table border="1" data-bbox="1093 1563 1332 1720"> <thead> <tr> <th colspan="2">Terminal Arrangement</th> </tr> </thead> <tbody> <tr> <td>Brown</td> <td>+V</td> </tr> <tr> <td>Black</td> <td>Out put</td> </tr> <tr> <td>Blue</td> <td>0V</td> </tr> </tbody> </table>	Terminal Arrangement		Brown	+V	Black	Out put	Blue	0V
Terminal	Specifications																		
1	+V																		
2	---																		
3	0V																		
4	Output																		
Terminal Arrangement																			
Brown	+V																		
Black	Out put																		
Blue	0V																		