

## Product Discontinuation Notices

Temperature Controllers

April 2, 2012

No. 2012123E

### Discontinuation Notice of some model E52 series of Temperature Sensors.

#### Product Discontinuation

Temperature Sensors



Model E52-CA[]A E52-IC[]A  
Model E52-CA1D E52-IC1D  
Model E52-CA1D-40  
Model E52-CA1GT E52-IC1GT  
Model E52-CA1GT-14  
Model E52-P[]A E52-P6D



#### Recommended Replacement

Temperature Sensors

Model E52-CA[]AY E52-IC[]AY  
Model E52-CA1DY E52-IC1DY  
Model E52-CA1DY-40  
Model E52-CA1GTY E52-IC1GTY  
Model E52-CA1GTY-14  
Model E52-P[]AY E52-P6DY

No recommended replacement depending on the protective tubing length or lead wire length. Please refer to the following list for more information.

**Discontinuation date : The end of March, 2013**

#### Caution on recommended replacement

- The size of Y type crimping terminal for all discontinuation products is M4 (Possible to connect to M4 screw terminal block and M3.5 screw terminal block.), but the size of Y type crimping terminal for all recommended replacement is M3.5 (Possible to connect to M3 screw terminal block and M3.5 screw terminal block.). Please be aware that it cannot be connected to M4 screw terminal block.
- Please note that we make changes to the attaching size for the certain discontinuation products.

### Difference from discontinued product

Model	Body Color	Dimensions	Wire connection	Mounting Dimensions	Characteristics	Operation ratings	Operation methods
E52-CA[]AY	*	*	**	*	**	*	**
E52-IC[]AY	*	*	**	*	**	*	**
E52-CA1DY	*	*	**	**	**	**	**
E52-IC1DY	*	*	**	**	**	**	**
E52-CA1DY-40	*	*	**	**	**	**	**
E52-CA1GTY	*	*	**	*	*	*	**
E52-IC1GTY	*	*	**	*	*	*	**
E52-CA1GTY-14	*	*	**	*	--	*	**
E52-P[]AY	*	*	**	*	*	*	**
E52-P6DY	**	*	**	**	**	**	**

\*\* : Fully compatible

\* : The change is a little/Almost compatible

-- : Not compatible

- : No corresponding specification

### Product Discontinuation and recommended replacement

Product discontinuation	Recommended replacement
E52-CA15A D=1 1M	E52-CA15AY D=1 1M
E52-CA15A D=1 2M	E52-CA15AY D=1 2M
E52-CA15A D=1 4M	E52-CA15AY D=1 4M
E52-CA15A D=1 8M	E52-CA15AY D=1 8M
E52-CA15A D=1 NETU 1M	E52-CA15AY D=1 NETU 1M
E52-CA15A D=1 NETU 2M	E52-CA15AY D=1 NETU 2M
E52-CA15A D=1 NETU 4M	E52-CA15AY D=1 NETU 4M
E52-CA15A D=1 NETU 8M	E52-CA15AY D=1 NETU 8M
E52-CA15A D=1.6 1M	E52-CA15AY D=1.6 1M
E52-CA15A D=1.6 2M	E52-CA15AY D=1.6 2M
E52-CA15A D=1.6 4M	E52-CA15AY D=1.6 4M
E52-CA15A D=1.6 8M	E52-CA15AY D=1.6 8M
E52-CA15A D=1.6 NETU 1M	E52-CA15AY D=1.6 NETU 1M
E52-CA15A D=1.6 NETU 2M	E52-CA15AY D=1.6 NETU 2M
E52-CA15A D=1.6 NETU 4M	E52-CA15AY D=1.6 NETU 4M
E52-CA15A D=1.6 NETU 8M	E52-CA15AY D=1.6 NETU 8M
E52-CA15A D=3.2 1M	E52-CA15AY D=3.2 1M
E52-CA15A D=3.2 2M	E52-CA15AY D=3.2 2M
E52-CA15A D=3.2 4M	E52-CA15AY D=3.2 4M
E52-CA15A D=3.2 8M	E52-CA15AY D=3.2 8M

**Product Discontinuation and recommended replacement**

<b>Product discontinuation</b>	<b>Recommended replacement</b>
E52-CA15A D=3.2 NETU 1M	E52-CA15AY D=3.2 NETU 1M
E52-CA15A D=3.2 NETU 2M	E52-CA15AY D=3.2 NETU 2M
E52-CA15A D=3.2 NETU 4M	E52-CA15AY D=3.2 NETU 4M
E52-CA15A D=3.2 NETU 8M	E52-CA15AY D=3.2 NETU 8M
E52-CA20A D=1 1M	E52-CA20AY D=1 1M
E52-CA20A D=1 2M	E52-CA20AY D=1 2M
E52-CA20A D=1 4M	E52-CA20AY D=1 4M
E52-CA20A D=1 8M	E52-CA20AY D=1 8M
E52-CA20A D=1 NETU 1M	E52-CA20AY D=1 NETU 1M
E52-CA20A D=1 NETU 2M	E52-CA20AY D=1 NETU 2M
E52-CA20A D=1 NETU 4M	E52-CA20AY D=1 NETU 4M
E52-CA20A D=1 NETU 8M	E52-CA20AY D=1 NETU 8M
E52-CA20A D=1.6 1M	E52-CA20AY D=1.6 1M
E52-CA20A D=1.6 2M	E52-CA20AY D=1.6 2M
E52-CA20A D=1.6 4M	E52-CA20AY D=1.6 4M
E52-CA20A D=1.6 8M	E52-CA20AY D=1.6 8M
E52-CA20A D=1.6 NETU 1M	E52-CA20AY D=1.6 NETU 1M
E52-CA20A D=1.6 NETU 2M	E52-CA20AY D=1.6 NETU 2M
E52-CA20A D=1.6 NETU 4M	E52-CA20AY D=1.6 NETU 4M
E52-CA20A D=1.6 NETU 8M	E52-CA20AY D=1.6 NETU 8M
E52-CA20A D=3.2 1M	E52-CA20AY D=3.2 1M
E52-CA20A D=3.2 2M	E52-CA20AY D=3.2 2M
E52-CA20A D=3.2 4M	E52-CA20AY D=3.2 4M
E52-CA20A D=3.2 8M	E52-CA20AY D=3.2 8M
E52-CA20A D=3.2 NETU 1M	E52-CA20AY D=3.2 NETU 1M
E52-CA20A D=3.2 NETU 2M	E52-CA20AY D=3.2 NETU 2M
E52-CA20A D=3.2 NETU 4M	E52-CA20AY D=3.2 NETU 4M
E52-CA20A D=3.2 NETU 8M	E52-CA20AY D=3.2 NETU 8M
E52-CA20A D=4.8 1M	E52-CA20AY D=4.8 1M
E52-CA20A D=4.8 2M	E52-CA20AY D=4.8 2M
E52-CA20A D=4.8 4M	E52-CA20AY D=4.8 4M
E52-CA20A D=4.8 8M	E52-CA20AY D=4.8 8M
E52-CA20A D=4.8 NETU 1M	E52-CA20AY D=4.8 NETU 1M
E52-CA20A D=4.8 NETU 2M	E52-CA20AY D=4.8 NETU 2M
E52-CA20A D=4.8 NETU 4M	E52-CA20AY D=4.8 NETU 4M
E52-CA20A D=4.8 NETU 8M	E52-CA20AY D=4.8 NETU 8M
E52-CA20A D=6.4 1M	E52-CA20AY D=6.4 1M
E52-CA20A D=6.4 2M	E52-CA20AY D=6.4 2M
E52-CA20A D=6.4 4M	E52-CA20AY D=6.4 4M
E52-CA20A D=6.4 8M	E52-CA20AY D=6.4 8M
E52-CA20A D=6.4 NETU 1M	E52-CA20AY D=6.4 NETU 1M
E52-CA20A D=6.4 NETU 2M	E52-CA20AY D=6.4 NETU 2M
E52-CA20A D=6.4 NETU 4M	E52-CA20AY D=6.4 NETU 4M
E52-CA20A D=6.4 NETU 8M	E52-CA20AY D=6.4 NETU 8M
E52-CA20A D=8 1M	E52-CA20AY D=8 1M
E52-CA20A D=8 2M	E52-CA20AY D=8 2M
E52-CA20A D=8 4M	E52-CA20AY D=8 4M
E52-CA20A D=8 8M	E52-CA20AY D=8 8M
E52-CA20A D=8 NETU 1M	E52-CA20AY D=8 NETU 1M
E52-CA20A D=8 NETU 2M	E52-CA20AY D=8 NETU 2M
E52-CA20A D=8 NETU 4M	E52-CA20AY D=8 NETU 4M
E52-CA20A D=8 NETU 8M	E52-CA20AY D=8 NETU 8M

**Product Discontinuation and recommended replacement**

<b>Product discontinuation</b>	<b>Recommended replacement</b>
E52-CA35A D=1 1M	E52-CA35AY D=1 1M
E52-CA35A D=1 2M	E52-CA35AY D=1 2M
E52-CA35A D=1 4M	E52-CA35AY D=1 4M
E52-CA35A D=1 8M	E52-CA35AY D=1 8M
E52-CA35A D=1 NETU 1M	E52-CA35AY D=1 NETU 1M
E52-CA35A D=1 NETU 2M	E52-CA35AY D=1 NETU 2M
E52-CA35A D=1 NETU 4M	E52-CA35AY D=1 NETU 4M
E52-CA35A D=1 NETU 8M	E52-CA35AY D=1 NETU 8M
E52-CA35A D=1.6 1M	E52-CA35AY D=1.6 1M
E52-CA35A D=1.6 2M	E52-CA35AY D=1.6 2M
E52-CA35A D=1.6 4M	E52-CA35AY D=1.6 4M
E52-CA35A D=1.6 8M	E52-CA35AY D=1.6 8M
E52-CA35A D=1.6 NETU 1M	E52-CA35AY D=1.6 NETU 1M
E52-CA35A D=1.6 NETU 2M	E52-CA35AY D=1.6 NETU 2M
E52-CA35A D=1.6 NETU 4M	E52-CA35AY D=1.6 NETU 4M
E52-CA35A D=1.6 NETU 8M	E52-CA35AY D=1.6 NETU 8M
E52-CA35A D=3.2 1M	E52-CA35AY D=3.2 1M
E52-CA35A D=3.2 2M	E52-CA35AY D=3.2 2M
E52-CA35A D=3.2 4M	E52-CA35AY D=3.2 4M
E52-CA35A D=3.2 8M	E52-CA35AY D=3.2 8M
E52-CA35A D=3.2 NETU 1M	E52-CA35AY D=3.2 NETU 1M
E52-CA35A D=3.2 NETU 2M	E52-CA35AY D=3.2 NETU 2M
E52-CA35A D=3.2 NETU 4M	E52-CA35AY D=3.2 NETU 4M
E52-CA35A D=3.2 NETU 8M	E52-CA35AY D=3.2 NETU 8M
E52-CA35A D=4.8 1M	E52-CA35AY D=4.8 1M
E52-CA35A D=4.8 2M	E52-CA35AY D=4.8 2M
E52-CA35A D=4.8 4M	E52-CA35AY D=4.8 4M
E52-CA35A D=4.8 8M	E52-CA35AY D=4.8 8M
E52-CA35A D=4.8 NETU 1M	E52-CA35AY D=4.8 NETU 1M
E52-CA35A D=4.8 NETU 2M	E52-CA35AY D=4.8 NETU 2M
E52-CA35A D=4.8 NETU 4M	E52-CA35AY D=4.8 NETU 4M
E52-CA35A D=4.8 NETU 8M	E52-CA35AY D=4.8 NETU 8M
E52-CA35A D=6.4 1M	E52-CA35AY D=6.4 1M
E52-CA35A D=6.4 2M	E52-CA35AY D=6.4 2M
E52-CA35A D=6.4 4M	E52-CA35AY D=6.4 4M
E52-CA35A D=6.4 8M	E52-CA35AY D=6.4 8M
E52-CA35A D=6.4 NETU 1M	E52-CA35AY D=6.4 NETU 1M
E52-CA35A D=6.4 NETU 2M	E52-CA35AY D=6.4 NETU 2M
E52-CA35A D=6.4 NETU 4M	E52-CA35AY D=6.4 NETU 4M
E52-CA35A D=6.4 NETU 8M	E52-CA35AY D=6.4 NETU 8M
E52-CA35A D=8 1M	E52-CA35AY D=8 1M
E52-CA35A D=8 2M	E52-CA35AY D=8 2M
E52-CA35A D=8 4M	E52-CA35AY D=8 4M
E52-CA35A D=8 8M	E52-CA35AY D=8 8M
E52-CA35A D=8 NETU 1M	E52-CA35AY D=8 NETU 1M
E52-CA35A D=8 NETU 2M	E52-CA35AY D=8 NETU 2M
E52-CA35A D=8 NETU 4M	E52-CA35AY D=8 NETU 4M
E52-CA35A D=8 NETU 8M	E52-CA35AY D=8 NETU 8M
E52-CA50A D=3.2 1M	E52-CA50AY D=3.2 1M
E52-CA50A D=3.2 2M	E52-CA50AY D=3.2 2M
E52-CA50A D=3.2 4M	E52-CA50AY D=3.2 4M
E52-CA50A D=3.2 8M	E52-CA50AY D=3.2 8M

**Product Discontinuation and recommended replacement**

<b>Product discontinuation</b>	<b>Recommended replacement</b>
E52-CA50A D=3.2 NETU 1M	E52-CA50AY D=3.2 NETU 1M
E52-CA50A D=3.2 NETU 2M	E52-CA50AY D=3.2 NETU 2M
E52-CA50A D=3.2 NETU 4M	E52-CA50AY D=3.2 NETU 4M
E52-CA50A D=3.2 NETU 8M	E52-CA50AY D=3.2 NETU 8M
E52-CA50A D=4.8 1M	E52-CA50AY D=4.8 1M
E52-CA50A D=4.8 2M	E52-CA50AY D=4.8 2M
E52-CA50A D=4.8 4M	E52-CA50AY D=4.8 4M
E52-CA50A D=4.8 8M	E52-CA50AY D=4.8 8M
E52-CA50A D=4.8 NETU 1M	E52-CA50AY D=4.8 NETU 1M
E52-CA50A D=4.8 NETU 2M	E52-CA50AY D=4.8 NETU 2M
E52-CA50A D=4.8 NETU 4M	E52-CA50AY D=4.8 NETU 4M
E52-CA50A D=4.8 NETU 8M	E52-CA50AY D=4.8 NETU 8M
E52-CA50A D=6.4 1M	E52-CA50AY D=6.4 1M
E52-CA50A D=6.4 2M	E52-CA50AY D=6.4 2M
E52-CA50A D=6.4 4M	E52-CA50AY D=6.4 4M
E52-CA50A D=6.4 8M	E52-CA50AY D=6.4 8M
E52-CA50A D=6.4 NETU 1M	E52-CA50AY D=6.4 NETU 1M
E52-CA50A D=6.4 NETU 2M	E52-CA50AY D=6.4 NETU 2M
E52-CA50A D=6.4 NETU 4M	E52-CA50AY D=6.4 NETU 4M
E52-CA50A D=6.4 NETU 8M	E52-CA50AY D=6.4 NETU 8M
E52-CA50A D=8 1M	E52-CA50AY D=8 1M
E52-CA50A D=8 2M	E52-CA50AY D=8 2M
E52-CA50A D=8 4M	E52-CA50AY D=8 4M
E52-CA50A D=8 8M	E52-CA50AY D=8 8M
E52-CA50A D=8 NETU 1M	E52-CA50AY D=8 NETU 1M
E52-CA50A D=8 NETU 2M	E52-CA50AY D=8 NETU 2M
E52-CA50A D=8 NETU 4M	E52-CA50AY D=8 NETU 4M
E52-CA50A D=8 NETU 8M	E52-CA50AY D=8 NETU 8M
E52-IC15A D=1 1M	E52-IC15AY D=1 1M
E52-IC15A D=1 2M	E52-IC15AY D=1 2M
E52-IC15A D=1 4M	E52-IC15AY D=1 4M
E52-IC15A D=1 NETU 1M	E52-IC15AY D=1 NETU 1M
E52-IC15A D=1 NETU 2M	E52-IC15AY D=1 NETU 2M
E52-IC15A D=1 NETU 4M	E52-IC15AY D=1 NETU 4M
E52-IC15A D=1.6 1M	E52-IC15AY D=1.6 1M
E52-IC15A D=1.6 2M	E52-IC15AY D=1.6 2M
E52-IC15A D=1.6 4M	E52-IC15AY D=1.6 4M
E52-IC15A D=1.6 NETU 1M	E52-IC15AY D=1.6 NETU 1M
E52-IC15A D=1.6 NETU 2M	E52-IC15AY D=1.6 NETU 2M
E52-IC15A D=1.6 NETU 4M	E52-IC15AY D=1.6 NETU 4M
E52-IC15A D=3.2 1M	E52-IC15AY D=3.2 1M
E52-IC15A D=3.2 2M	E52-IC15AY D=3.2 2M
E52-IC15A D=3.2 4M	E52-IC15AY D=3.2 4M
E52-IC15A D=3.2 NETU 1M	E52-IC15AY D=3.2 NETU 1M
E52-IC15A D=3.2 NETU 2M	E52-IC15AY D=3.2 NETU 2M
E52-IC15A D=3.2 NETU 4M	E52-IC15AY D=3.2 NETU 4M
E52-IC20A D=1 1M	E52-IC20AY D=1 1M
E52-IC20A D=1 2M	E52-IC20AY D=1 2M
E52-IC20A D=1 4M	E52-IC20AY D=1 4M
E52-IC20A D=1 NETU 1M	E52-IC20AY D=1 NETU 1M
E52-IC20A D=1 NETU 2M	E52-IC20AY D=1 NETU 2M
E52-IC20A D=1 NETU 4M	E52-IC20AY D=1 NETU 4M

## Product Discontinuation and recommended replacement

Product discontinuation	Recommended replacement
E52-IC20A D=1.6 1M	E52-IC20AY D=1.6 1M
E52-IC20A D=1.6 2M	E52-IC20AY D=1.6 2M
E52-IC20A D=1.6 4M	E52-IC20AY D=1.6 4M
E52-IC20A D=1.6 NETU 1M	E52-IC20AY D=1.6 NETU 1M
E52-IC20A D=1.6 NETU 2M	E52-IC20AY D=1.6 NETU 2M
E52-IC20A D=1.6 NETU 4M	E52-IC20AY D=1.6 NETU 4M
E52-IC20A D=3.2 1M	E52-IC20AY D=3.2 1M
E52-IC20A D=3.2 2M	E52-IC20AY D=3.2 2M
E52-IC20A D=3.2 4M	E52-IC20AY D=3.2 4M
E52-IC20A D=3.2 NETU 1M	E52-IC20AY D=3.2 NETU 1M
E52-IC20A D=3.2 NETU 2M	E52-IC20AY D=3.2 NETU 2M
E52-IC20A D=3.2 NETU 4M	E52-IC20AY D=3.2 NETU 4M
E52-IC20A D=4.8 1M	E52-IC20AY D=4.8 1M
E52-IC20A D=4.8 2M	E52-IC20AY D=4.8 2M
E52-IC20A D=4.8 4M	E52-IC20AY D=4.8 4M
E52-IC20A D=4.8 NETU 1M	E52-IC20AY D=4.8 NETU 1M
E52-IC20A D=4.8 NETU 2M	E52-IC20AY D=4.8 NETU 2M
E52-IC20A D=4.8 NETU 4M	E52-IC20AY D=4.8 NETU 4M
E52-IC20A D=6.4 1M	E52-IC20AY D=6.4 1M
E52-IC20A D=6.4 2M	E52-IC20AY D=6.4 2M
E52-IC20A D=6.4 4M	E52-IC20AY D=6.4 4M
E52-IC20A D=6.4 NETU 1M	E52-IC20AY D=6.4 NETU 1M
E52-IC20A D=6.4 NETU 2M	E52-IC20AY D=6.4 NETU 2M
E52-IC20A D=6.4 NETU 4M	E52-IC20AY D=6.4 NETU 4M
E52-IC20A D=8 1M	E52-IC20AY D=8 1M
E52-IC20A D=8 2M	E52-IC20AY D=8 2M
E52-IC20A D=8 4M	E52-IC20AY D=8 4M
E52-IC20A D=8 NETU 1M	E52-IC20AY D=8 NETU 1M
E52-IC20A D=8 NETU 2M	E52-IC20AY D=8 NETU 2M
E52-IC20A D=8 NETU 4M	E52-IC20AY D=8 NETU 4M
E52-IC35A D=1 1M	E52-IC35AY D=1 1M
E52-IC35A D=1 2M	E52-IC35AY D=1 2M
E52-IC35A D=1 4M	E52-IC35AY D=1 4M
E52-IC35A D=1 NETU 1M	E52-IC35AY D=1 NETU 1M
E52-IC35A D=1 NETU 2M	E52-IC35AY D=1 NETU 2M
E52-IC35A D=1 NETU 4M	E52-IC35AY D=1 NETU 4M
E52-IC35A D=1.6 1M	E52-IC35AY D=1.6 1M
E52-IC35A D=1.6 2M	E52-IC35AY D=1.6 2M
E52-IC35A D=1.6 4M	E52-IC35AY D=1.6 4M
E52-IC35A D=1.6 NETU 1M	E52-IC35AY D=1.6 NETU 1M
E52-IC35A D=1.6 NETU 2M	E52-IC35AY D=1.6 NETU 2M
E52-IC35A D=1.6 NETU 4M	E52-IC35AY D=1.6 NETU 4M
E52-IC35A D=3.2 1M	E52-IC35AY D=3.2 1M
E52-IC35A D=3.2 2M	E52-IC35AY D=3.2 2M
E52-IC35A D=3.2 4M	E52-IC35AY D=3.2 4M
E52-IC35A D=3.2 NETU 1M	E52-IC35AY D=3.2 NETU 1M
E52-IC35A D=3.2 NETU 2M	E52-IC35AY D=3.2 NETU 2M
E52-IC35A D=3.2 NETU 4M	E52-IC35AY D=3.2 NETU 4M
E52-IC35A D=4.8 1M	E52-IC35AY D=4.8 1M
E52-IC35A D=4.8 2M	E52-IC35AY D=4.8 2M
E52-IC35A D=4.8 4M	E52-IC35AY D=4.8 4M

**Product Discontinuation and recommended replacement**

<b>Product discontinuation</b>	<b>Recommended replacement</b>
E52-IC35A D=4.8 NETU 1M	E52-IC35AY D=4.8 NETU 1M
E52-IC35A D=4.8 NETU 2M	E52-IC35AY D=4.8 NETU 2M
E52-IC35A D=4.8 NETU 4M	E52-IC35AY D=4.8 NETU 4M
E52-IC35A D=6.4 1M	E52-IC35AY D=6.4 1M
E52-IC35A D=6.4 2M	E52-IC35AY D=6.4 2M
E52-IC35A D=6.4 4M	E52-IC35AY D=6.4 4M
E52-IC35A D=6.4 NETU 1M	E52-IC35AY D=6.4 NETU 1M
E52-IC35A D=6.4 NETU 2M	E52-IC35AY D=6.4 NETU 2M
E52-IC35A D=6.4 NETU 4M	E52-IC35AY D=6.4 NETU 4M
E52-IC35A D=8 1M	E52-IC35AY D=8 1M
E52-IC35A D=8 2M	E52-IC35AY D=8 2M
E52-IC35A D=8 4M	E52-IC35AY D=8 4M
E52-IC35A D=8 NETU 1M	E52-IC35AY D=8 NETU 1M
E52-IC35A D=8 NETU 2M	E52-IC35AY D=8 NETU 2M
E52-IC35A D=8 NETU 4M	E52-IC35AY D=8 NETU 4M
E52-IC50A D=3.2 1M	E52-IC50AY D=3.2 1M
E52-IC50A D=3.2 2M	E52-IC50AY D=3.2 2M
E52-IC50A D=3.2 4M	E52-IC50AY D=3.2 4M
E52-IC50A D=3.2 NETU 1M	E52-IC50AY D=3.2 NETU 1M
E52-IC50A D=3.2 NETU 2M	E52-IC50AY D=3.2 NETU 2M
E52-IC50A D=3.2 NETU 4M	E52-IC50AY D=3.2 NETU 4M
E52-IC50A D=4.8 1M	E52-IC50AY D=4.8 1M
E52-IC50A D=4.8 2M	E52-IC50AY D=4.8 2M
E52-IC50A D=4.8 4M	E52-IC50AY D=4.8 4M
E52-IC50A D=4.8 NETU 1M	E52-IC50AY D=4.8 NETU 1M
E52-IC50A D=4.8 NETU 2M	E52-IC50AY D=4.8 NETU 2M
E52-IC50A D=4.8 NETU 4M	E52-IC50AY D=4.8 NETU 4M
E52-IC50A D=6.4 1M	E52-IC50AY D=6.4 1M
E52-IC50A D=6.4 2M	E52-IC50AY D=6.4 2M
E52-IC50A D=6.4 4M	E52-IC50AY D=6.4 4M
E52-IC50A D=6.4 NETU 1M	E52-IC50AY D=6.4 NETU 1M
E52-IC50A D=6.4 NETU 2M	E52-IC50AY D=6.4 NETU 2M
E52-IC50A D=6.4 NETU 4M	E52-IC50AY D=6.4 NETU 4M
E52-IC50A D=8 1M	E52-IC50AY D=8 1M
E52-IC50A D=8 2M	E52-IC50AY D=8 2M
E52-IC50A D=8 4M	E52-IC50AY D=8 4M
E52-IC50A D=8 NETU 1M	E52-IC50AY D=8 NETU 1M
E52-IC50A D=8 NETU 2M	E52-IC50AY D=8 NETU 2M
E52-IC50A D=8 NETU 4M	E52-IC50AY D=8 NETU 4M
E52-CA1D M6 1M	E52-CA1DY M6 1M
E52-CA1D M6 2M	E52-CA1DY M6 2M
E52-CA1D M6 4M	E52-CA1DY M6 4M
E52-CA1D M8 1M	E52-CA1DY M8 1M
E52-CA1D M8 2M	E52-CA1DY M8 2M
E52-CA1D M8 4M	E52-CA1DY M8 4M
E52-CA1D W1/4 1M	E52-CA1DY W1/4 1M
E52-CA1D W1/4 2M	E52-CA1DY W1/4 2M
E52-CA1D W1/4 4M	E52-CA1DY W1/4 4M
E52-CA1D-40 M6 1M	E52-CA1DY-40 M6 1M
E52-CA1D-40 M6 2M	E52-CA1DY-40 M6 2M
E52-CA1D-40 M6 4M	E52-CA1DY-40 M6 4M

**Product Discontinuation and recommended replacement**

<b>Product discontinuation</b>	<b>Recommended replacement</b>
E52-IC1D M6 1M	E52-IC1DY M6 1M
E52-IC1D M6 2M	E52-IC1DY M6 2M
E52-IC1D M6 4M	E52-IC1DY M6 4M
E52-IC1D M8 1M	E52-IC1DY M8 1M
E52-IC1D M8 2M	E52-IC1DY M8 2M
E52-IC1D M8 4M	E52-IC1DY M8 4M
E52-IC1D W1/4 1M	E52-IC1DY W1/4 1M
E52-IC1D W1/4 2M	E52-IC1DY W1/4 2M
E52-IC1D W1/4 4M	E52-IC1DY W1/4 4M
E52-P15A D=3.2 1M	E52-P15AY D=3.2 1M
E52-P15A D=3.2 2M	E52-P15AY D=3.2 2M
E52-P15A D=3.2 4M	E52-P15AY D=3.2 4M
E52-P15A D=3.2 8M	E52-P15AY D=3.2 8M
E52-P15A D=3.2 NETU 1M	E52-P15AY D=3.2 NETU 1M
E52-P15A D=3.2 NETU 2M	E52-P15AY D=3.2 NETU 2M
E52-P15A D=3.2 NETU 4M	E52-P15AY D=3.2 NETU 4M
E52-P15A D=3.2 NETU 8M	E52-P15AY D=3.2 NETU 8M
E52-P20A D=3.2 1M	E52-P20AY D=3.2 1M
E52-P20A D=3.2 2M	E52-P20AY D=3.2 2M
E52-P20A D=3.2 4M	E52-P20AY D=3.2 4M
E52-P20A D=3.2 8M	E52-P20AY D=3.2 8M
E52-P20A D=3.2 NETU 1M	E52-P20AY D=3.2 NETU 1M
E52-P20A D=3.2 NETU 2M	E52-P20AY D=3.2 NETU 2M
E52-P20A D=3.2 NETU 4M	E52-P20AY D=3.2 NETU 4M
E52-P20A D=3.2 NETU 8M	E52-P20AY D=3.2 NETU 8M
E52-P20A D=4.8 1M	E52-P20AY D=4.8 1M
E52-P20A D=4.8 2M	E52-P20AY D=4.8 2M
E52-P20A D=4.8 4M	E52-P20AY D=4.8 4M
E52-P20A D=4.8 8M	E52-P20AY D=4.8 8M
E52-P20A D=4.8 NETU 1M	E52-P20AY D=4.8 NETU 1M
E52-P20A D=4.8 NETU 2M	E52-P20AY D=4.8 NETU 2M
E52-P20A D=4.8 NETU 4M	E52-P20AY D=4.8 NETU 4M
E52-P20A D=4.8 NETU 8M	E52-P20AY D=4.8 NETU 8M
E52-P20A D=6.4 1M	E52-P20AY D=6.4 1M
E52-P20A D=6.4 2M	E52-P20AY D=6.4 2M
E52-P20A D=6.4 4M	E52-P20AY D=6.4 4M
E52-P20A D=6.4 8M	E52-P20AY D=6.4 8M
E52-P20A D=6.4 NETU 1M	E52-P20AY D=6.4 NETU 1M
E52-P20A D=6.4 NETU 2M	E52-P20AY D=6.4 NETU 2M
E52-P20A D=6.4 NETU 4M	E52-P20AY D=6.4 NETU 4M
E52-P20A D=6.4 NETU 8M	E52-P20AY D=6.4 NETU 8M
E52-P35A D=3.2 1M	E52-P35AY D=3.2 1M
E52-P35A D=3.2 2M	E52-P35AY D=3.2 2M
E52-P35A D=3.2 4M	E52-P35AY D=3.2 4M
E52-P35A D=3.2 8M	E52-P35AY D=3.2 8M
E52-P35A D=3.2 NETU 1M	E52-P35AY D=3.2 NETU 1M
E52-P35A D=3.2 NETU 2M	E52-P35AY D=3.2 NETU 2M
E52-P35A D=3.2 NETU 4M	E52-P35AY D=3.2 NETU 4M
E52-P35A D=3.2 NETU 8M	E52-P35AY D=3.2 NETU 8M
E52-P35A D=4.8 1M	E52-P35AY D=4.8 1M
E52-P35A D=4.8 2M	E52-P35AY D=4.8 2M
E52-P35A D=4.8 4M	E52-P35AY D=4.8 4M
E52-P35A D=4.8 8M	E52-P35AY D=4.8 8M



## Product Discontinuation and recommended replacement

Product discontinuation	Recommended replacement
E52-P35A D=4.8 NETU 1M	E52-P35AY D=4.8 NETU 1M
E52-P35A D=4.8 NETU 2M	E52-P35AY D=4.8 NETU 2M
E52-P35A D=4.8 NETU 4M	E52-P35AY D=4.8 NETU 4M
E52-P35A D=4.8 NETU 8M	E52-P35AY D=4.8 NETU 8M
E52-P35A D=6.4 1M	E52-P35AY D=6.4 1M
E52-P35A D=6.4 2M	E52-P35AY D=6.4 2M
E52-P35A D=6.4 4M	E52-P35AY D=6.4 4M
E52-P35A D=6.4 8M	E52-P35AY D=6.4 8M
E52-P35A D=6.4 NETU 1M	E52-P35AY D=6.4 NETU 1M
E52-P35A D=6.4 NETU 2M	E52-P35AY D=6.4 NETU 2M
E52-P35A D=6.4 NETU 4M	E52-P35AY D=6.4 NETU 4M
E52-P35A D=6.4 NETU 8M	E52-P35AY D=6.4 NETU 8M
E52-P50A D=4.8 1M	E52-P50AY D=4.8 1M
E52-P50A D=4.8 2M	E52-P50AY D=4.8 2M
E52-P50A D=4.8 4M	E52-P50AY D=4.8 4M
E52-P50A D=4.8 8M	E52-P50AY D=4.8 8M
E52-P50A D=4.8 NETU 1M	E52-P50AY D=4.8 NETU 1M
E52-P50A D=4.8 NETU 2M	E52-P50AY D=4.8 NETU 2M
E52-P50A D=4.8 NETU 4M	E52-P50AY D=4.8 NETU 4M
E52-P50A D=4.8 NETU 8M	E52-P50AY D=4.8 NETU 8M
E52-P50A D=6.4 1M	E52-P50AY D=6.4 1M
E52-P50A D=6.4 2M	E52-P50AY D=6.4 2M
E52-P50A D=6.4 4M	E52-P50AY D=6.4 4M
E52-P50A D=6.4 8M	E52-P50AY D=6.4 8M
E52-P50A D=6.4 NETU 1M	E52-P50AY D=6.4 NETU 1M
E52-P50A D=6.4 NETU 2M	E52-P50AY D=6.4 NETU 2M
E52-P50A D=6.4 NETU 4M	E52-P50AY D=6.4 NETU 4M
E52-P50A D=6.4 NETU 8M	E52-P50AY D=6.4 NETU 8M
E52-P6D 1M	E52-P6DY 1M
E52-P6D 2M	E52-P6DY 2M
E52-P6D 4M	E52-P6DY 4M
E52-CA10A D=1 1M	E52-CA10AY D=1 1M
E52-CA10A D=1.6 1M	E52-CA10AY D=1.6 1M
E52-CA10A D=3.2 2M	E52-CA10AY D=3.2 2M
E52-CA10A D=4.8 NETU 1M	E52-CA10AY D=4.8 NETU 1M
E52-CA15A D=4.8 2M	E52-CA15AY D=4.8 2M
E52-CA15A D=4.8 NETU 1M	E52-CA15AY D=4.8 NETU 1M
E52-CA25A D=3.2 NETU 2M	E52-CA25AY D=3.2 NETU 2M
E52-CA50A D=1.6 2M	E52-CA50AY D=1.6 2M
E52-CA5A D=3.2 1M	E52-CA5AY D=3.2 1M
E52-CA5A D=3.2 2M	E52-CA5AY D=3.2 2M
E52-CA1D M6 3M	E52-CA1DY M6 3M
E52-CA1D W1/4 0.5M	E52-CA1DY W1/4 0.5M
E52-CA1GT 0.5M	E52-CA1GTY 0.5M
E52-CA1GT 3M	E52-CA1GTY 3M
E52-CA1GT 4M	E52-CA1GTY 4M
E52-CA1GT 5M	E52-CA1GTY 5M
E52-P35A D=3.2 10M	E52-P35AY D=3.2 10M
E52-P50A D=3.2 2M	E52-P50AY D=3.2 2M

## Product Discontinuation and recommended replacement

Product discontinuation	Recommended replacement
E52-CA100A D=1.6 NETU 4M	No recommended replacement *1
E52-CA100A D=3.2 3M	No recommended replacement *1
E52-CA100A D=3.2 NETU 1M	No recommended replacement *1
E52-CA100A D=3.2 NETU 4M	No recommended replacement *1
E52-CA10A D=1 NETU 1M	No recommended replacement *1
E52-CA10A D=1.6 2M	No recommended replacement *1
E52-CA110A D=8 8M	No recommended replacement *1
E52-CA11A D=4.8 2M	No recommended replacement *1
E52-CA120A D=6.4 NETU 2M	No recommended replacement *1
E52-CA12A D=4.8 2M	No recommended replacement *1
E52-CA12A D=8 1M	No recommended replacement *1
E52-CA130A D=3.2 NETU 1M	No recommended replacement *1
E52-CA13A D=1 NETU 1M	No recommended replacement *1
E52-CA13A D=4.8 3M	No recommended replacement *1
E52-CA143A D=3.2 NETU 1M	No recommended replacement *1
E52-CA150A D=3.2 1M	No recommended replacement *1
E52-CA150A D=3.2 NETU 1M	No recommended replacement *1
E52-CA15A D=1 100M	No recommended replacement *1
E52-CA15A D=1.6 3M	No recommended replacement *1
E52-CA15A D=1.6 NETU 3M	No recommended replacement *1
E52-CA15A D=4.8 3M	No recommended replacement *1
E52-CA15A D=4.8 4M	No recommended replacement *1
E52-CA15A D=4.8 NETU 4M	No recommended replacement *1
E52-CA17A D=1 NETU 1M	No recommended replacement *1
E52-CA17A D=3.2 8M	No recommended replacement *1
E52-CA180A D=3.2 NETU 1M	No recommended replacement *1
E52-CA200A D=3.2 NETU 1M	No recommended replacement *1
E52-CA20A D=1.6 6M	No recommended replacement *1
E52-CA22A D=1 NETU 1M	No recommended replacement *1
E52-CA230A D=3.2 1M	No recommended replacement *1
E52-CA230A D=3.2 NETU 1M	No recommended replacement *1
E52-CA23A D=8 8M	No recommended replacement *1
E52-CA24A D=4.8 2M	No recommended replacement *1
E52-CA250A D=3.2 1M	No recommended replacement *1
E52-CA250A D=3.2 NETU 1M	No recommended replacement *1
E52-CA25A D=12M SUS316	No recommended replacement *1
E52-CA25A D=6.4 NETU 3M	No recommended replacement *1
E52-CA26A D=1.6 2M	No recommended replacement *1
E52-CA27A D=8 8M	No recommended replacement *1
E52-CA28A D=1.6 NETU 2M	No recommended replacement *1
E52-CA300A D=1.6 8M	No recommended replacement *1
E52-CA30A D=3.2 NETU 4M	No recommended replacement *1
E52-CA32A D=8 8M	No recommended replacement *1
E52-CA3A D=1.6 1M	No recommended replacement *1
E52-CA40A D=3.2 NETU 1M	No recommended replacement *1
E52-CA45A D=8 8M	No recommended replacement *1
E52-CA4A D=1 NETU 1M	No recommended replacement *1
E52-CA4A D=1.6 1M	No recommended replacement *1
E52-CA50A D=1.6 4M	No recommended replacement *1
E52-CA52A D=8 8M	No recommended replacement *1
E52-CA54A D=4.8 8M	No recommended replacement *1
E52-CA55A D=8 8M	No recommended replacement *1

## Product Discontinuation and recommended replacement

Product discontinuation	Recommended replacement
E52-CA5A D=1 1M SUS 316	No recommended replacement *1
E52-CA5A D=1.6 1M	No recommended replacement *1
E52-CA5A D=1.6 2M	No recommended replacement *1
E52-CA5A D=3.2 4M	No recommended replacement *1
E52-CA6A D=1.6 2M	No recommended replacement *1
E52-CA80A D=3.2 3M	No recommended replacement *1
E52-CA82A D=3.2 NETU 1M	No recommended replacement *1
E52-CA8A D=1.6 2M	No recommended replacement *1
E52-CA94A D=4.8 15M	No recommended replacement *1
E52-CA95A D=8 8M	No recommended replacement *1
E52-CA9A D=4.8 2M	No recommended replacement *1
E52-IC127A D=6.4 2M	No recommended replacement *1
E52-IC150A D=3.2 2M	No recommended replacement *1
E52-IC15A D=1 8M	No recommended replacement *1
E52-IC15A D=3.2 3M	No recommended replacement *1
E52-IC15A D=3.2 8M	No recommended replacement *1
E52-IC15A D=3.2 NETU 8M	No recommended replacement *1
E52-IC20A D=1 8M	No recommended replacement *1
E52-IC20A D=1 NETU 8M	No recommended replacement *1
E52-IC20A D=1.6 8M	No recommended replacement *1
E52-IC20A D=1.6 NETU 8M	No recommended replacement *1
E52-IC20A D=3.2 8M	No recommended replacement *1
E52-IC20A D=3.2 NETU 8M	No recommended replacement *1
E52-IC20A D=4.8 8M	No recommended replacement *1
E52-IC20A D=4.8 NETU 8M	No recommended replacement *1
E52-IC20A D=6.4 8M	No recommended replacement *1
E52-IC20A D=6.4 NETU 8M	No recommended replacement *1
E52-IC20A D=8 8M	No recommended replacement *1
E52-IC20A D=8 NETU 8M	No recommended replacement *1
E52-IC35A D=1 8M	No recommended replacement *1
E52-IC35A D=1 NETU 8M	No recommended replacement *1
E52-IC35A D=1.6 8M	No recommended replacement *1
E52-IC35A D=1.6 NETU 8M	No recommended replacement *1
E52-IC35A D=3.2 8M	No recommended replacement *1
E52-IC35A D=3.2 NETU 8M	No recommended replacement *1
E52-IC35A D=4.8 8M	No recommended replacement *1
E52-IC35A D=4.8 NETU 8M	No recommended replacement *1
E52-IC35A D=6.4 8M	No recommended replacement *1
E52-IC35A D=6.4 NETU 8M	No recommended replacement *1
E52-IC35A D=8 8M	No recommended replacement *1
E52-IC35A D=8 NETU 8M	No recommended replacement *1
E52-IC50A D=3.2 8M	No recommended replacement *1
E52-IC50A D=3.2 NETU 8M	No recommended replacement *1
E52-IC50A D=4.8 8M	No recommended replacement *1
E52-IC50A D=4.8 NETU 8M	No recommended replacement *1

## Product Discontinuation and recommended replacement

Product discontinuation	Recommended replacement
E52-CA1D M6 0.5M	No recommended replacement *1
E52-CA1D M6 5M	No recommended replacement *1
E52-CA1D M6 6M	No recommended replacement *1
E52-CA1D M6 8M	No recommended replacement *1
E52-CA1D M8 8M	No recommended replacement *1
E52-CA1D-40 M8 4M	No recommended replacement *1
E52-CA1D-40 W1/4 1M	No recommended replacement *1
E52-CA1GT 10M	No recommended replacement *1
E52-CA1GT 6M	No recommended replacement *1
E52-CA1GT 7M	No recommended replacement *1
E52-CA1GT 8M	No recommended replacement *1
E52-CA1GT-14 3M	No recommended replacement *1
E52-P100A D=3.2 2M	No recommended replacement *1
E52-P100A D=3.2 NETU 8M	No recommended replacement *1
E52-P10A D=3.2 4M	No recommended replacement *1
E52-P10A D=3.2 NETU 2M	No recommended replacement *1
E52-P10A D=4.8 4M	No recommended replacement *1
E52-P10A D=4.8 NETU 1M	No recommended replacement *1
E52-P129A D=6.4 2M	No recommended replacement *1
E52-P12A D=3.2 NETU 1M	No recommended replacement *1
E52-P15A D=3.2 10M	No recommended replacement *1
E52-P15A D=4.8 NETU 2M	No recommended replacement *1
E52-P20A D=4.8 6M	No recommended replacement *1
E52-P20A D=6.4 10M	No recommended replacement *1
E52-P20A D=6.4 20M	No recommended replacement *1
E52-P25A D=6.4 2M	No recommended replacement *1
E52-P30A D=3.2 2M	No recommended replacement *1
E52-P30A D=3.2 4M	No recommended replacement *1
E52-P38A D=6.4 2M	No recommended replacement *1
E52-P41A D=6.4 2M	No recommended replacement *1
E52-P50A D=3.2 NETU 8M	No recommended replacement *1
E52-P75A D=3.2 2M	No recommended replacement *1
E52-P7A D=3.2 8M	No recommended replacement *1
E52-P7A D=3.2 NETU 4M	No recommended replacement *1
E52-P7A D=3.2 NETU 8M	No recommended replacement *1
E52-P6D 5M	No recommended replacement *1
E52-P6D 6M	No recommended replacement *1

\*1:Products of a different protective tubing length and lead wire length from the recommended replacement.

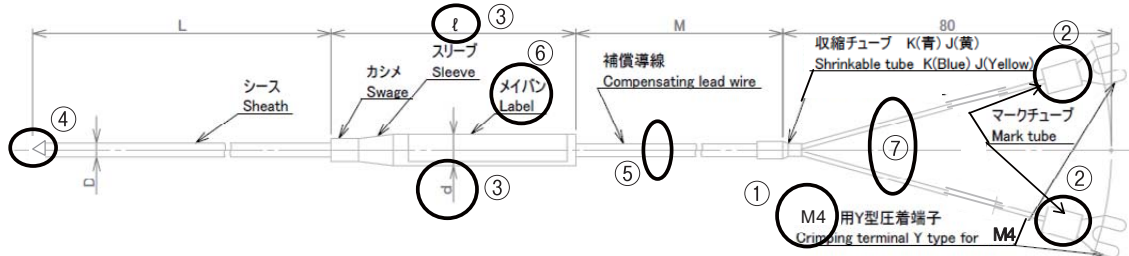
We are available to produce, so please inquire the price.

**Body color and material**

Product discontinuation	Recommendable replacement
<p><b>Model E52-CA[A], E52-IC[A]</b>            Y type crimping terminal sleeve color            [+]Red [-]White            Sheath material            SUS316</p> <p><b>Model E52-CA1D, Model E52-IC1D</b>  <b>Model E52-CA1D-40</b>            Y type crimping terminal sleeve color            [+]Red [-]White</p> <p><b>Model E52-CA1GT, Model E52-IC1GT</b>  <b>Model E52-CA1GT-14</b>            Y type crimping terminal sleeve color            [+]Red [-]White            Temperature sensing part round terminal material            Aluminum alloy</p> <p><b>Model E52-P[A]</b>            Identifying tube color            [A]White [B]White [B]White</p>	<p><b>Model E52-CA[AY], E52-IC[AY]</b>            Y type crimping terminal sleeve color            [+]Clear [-]Clear            Sheath material            ASTM316L</p> <p><b>Model E52-CA1DY, Model E52-IC1DY</b>  <b>Model E52-CA1DY-40</b>            Y type crimping terminal sleeve color            [+]Red [-]Blue</p> <p><b>Model E52-CA1GTY, Model E52-IC1GTY</b>  <b>Model E52-CA1GTY-14</b>            Y type crimping terminal sleeve color            [+]Clear [-]Clear            Temperature sensing part round terminal material            Nickel</p> <p><b>Model E52-P[AY]</b>            Identifying tube color            [A]Red [B]White [B]White</p>

## Dimensions

### Product discontinuation Model E52-CA[]A, Model E52-IC[]A



#### 1. Size of Y type crimping terminal:

For M4 (Shape corresponding to M4 screw terminal block and M3.5 screw terminal block.)

#### 2. The location of the polarity marked tube:

The sleeve part of the Y type crimping terminal

#### 3. The sleeve size of the sheath:

Sheath diameter D (mm)	1.0	1.6	3.2	4.8	6.4	8.0
Sleeve diameter d (mm)	7	7	7	7	10	10
Sleeve length $\ell$ (mm)	40	40	40	40	45	45

#### 4. Sleeve nose shape: Cone-shaped

#### 5. The external dimensions of the compensating conductor:

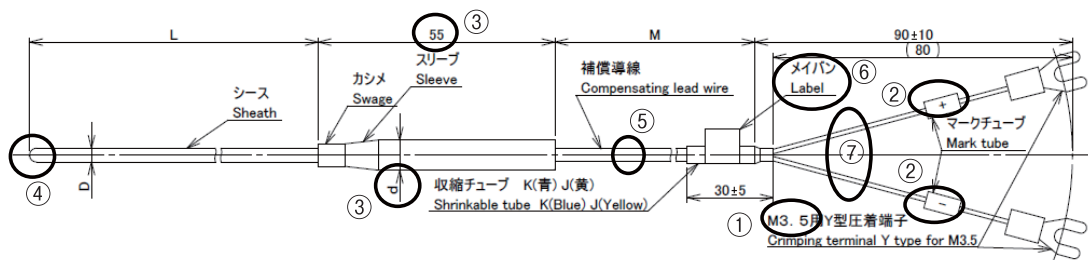
3.2mm×5.0mm (for standard) 2.9mm×4.6mm (for heat resistive)

#### 6. The sticking location of the name plate (product label):

The sleeve surface of the sheath

#### 7. The element part of compensating lead wire (for heat resistive): With no clear tube

### Recommendable replacement Model E52-CA[]AY, Model E52-IC[]AY



#### 1. Size of Y type crimping terminal:

For M3.5 (Shape corresponding to M3 screw terminal block and M3.5 screw terminal block.)

#### 2. The location of the polarity marked tube:

The element part of compensating lead wire

#### 3. The sleeve size of the sheath:

Sheath diameter D (mm)	1.0	1.6	3.2	4.8	6.4	8.0
Sleeve diameter d (mm)	8	8	8	8	11	11
Sleeve length $\ell$ (mm)	55	55	55	55	55	55

#### 4. Sleeve nose shape: Sphere-shaped

#### 5. The external dimensions of the compensating conductor:

2.4mm×4.1mm (for standard) 2.8mm×4.6mm (for heat resistive)

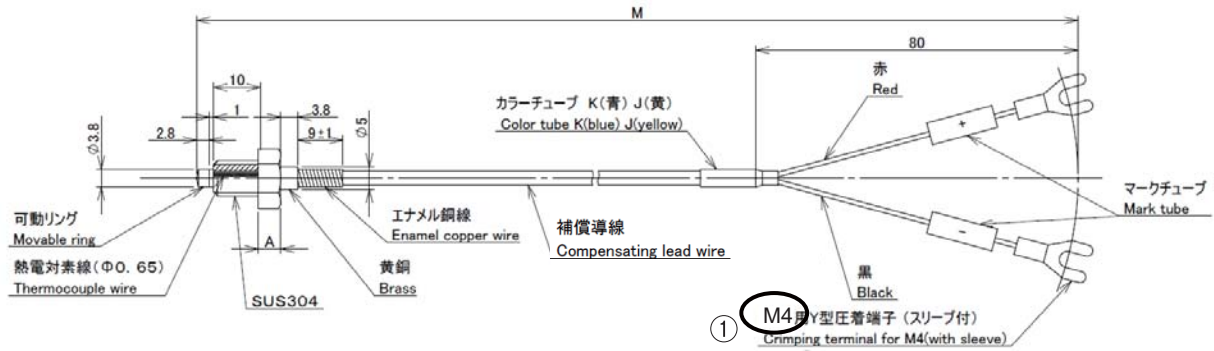
#### 6. The sticking location of the name plate (product label):

The shrinkable tube part of compensating lead wire termination

#### 7. The element part of compensating lead wire (for heat resistive): With a clear tube

## Dimensions

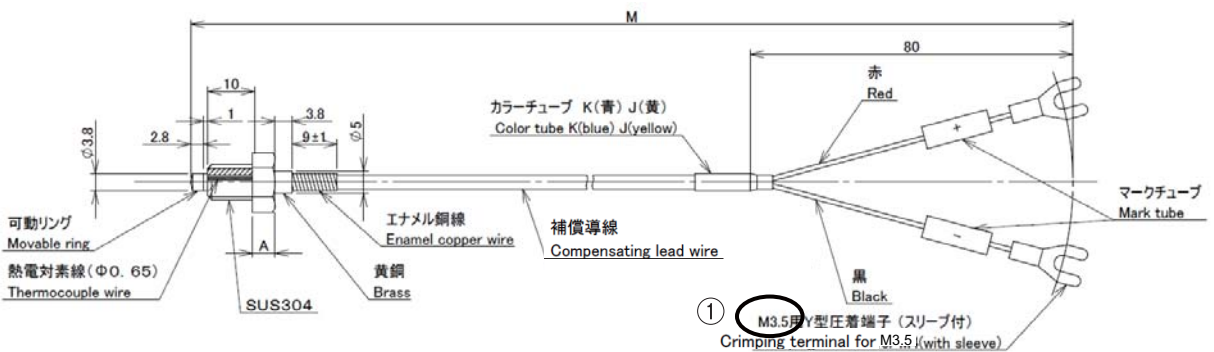
### Product discontinuation Model E52-CA1D, Model E52-IC1D, Model E52-CA1D-40



#### 1. Size of Y type crimping terminal:

For M4 (Shape corresponding to M4 screw terminal block and M3.5 screw terminal block.)

### Recommendable replacement Model E52-CA1DY, Model E52-IC1DY, Model E52-CA1DY-40

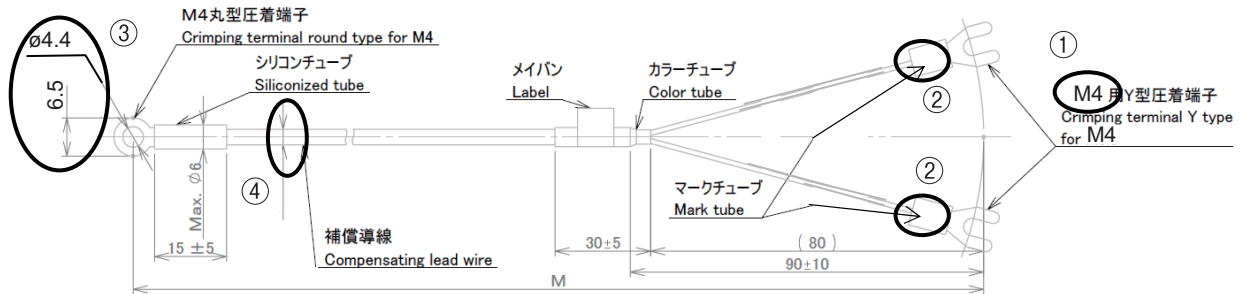


#### 1. Size of Y type crimping terminal:

For M3.5 (Shape corresponding to M3 screw terminal block and M3.5 screw terminal block.)

## Dimensions

### Product discontinuation Model E52-CA1GT, Model E52-IC1GT, Model E52-CA1GT-14



#### 1. Size of Y type crimping terminal:

For M4 (Shape corresponding to M4 screw terminal block and M3.5 screw terminal block.)

#### 2. The location of the polarity marked tube:

The sleeve part of the Y type crimping terminal

#### 3. The internal and outside diameter of the temperature sensing part round terminal:

Internal diameter = 4.4mm Outside diameter = 6.5mm

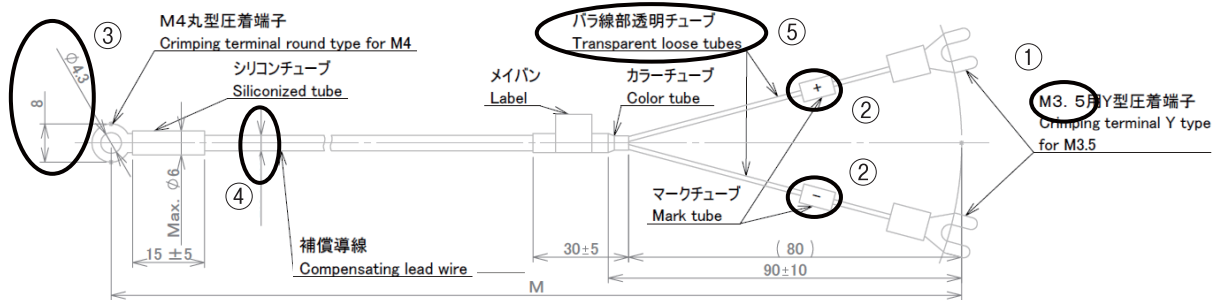
#### 4. The external dimensions of the compensating conductor:

Max  $\phi$ 4.2mm (-□1GT type) 3.5mm×4.9mm (-CA1GT-14 type)

#### 5. The element part of compensating lead wire (-□1GT type) :

With no clear tube

### Recommendable replacement Model E52-CA1GTY, Model E52-IC1GTY, Model E52-CA1GTY-14



#### 1. Size of Y type crimping terminal:

For M3.5 (Shape corresponding to M3 screw terminal block and M3.5 screw terminal block.)

#### 2. The location of the polarity marked tube:

The element part of compensating lead wire

#### 3. The internal and outside diameter of the temperature sensing part round terminal:

Internal diameter = 4.3mm Outside diameter = 8mm

#### 4. The external dimensions of the compensating conductor:

2.6mm×4.0mm (-□1GTY type) Max  $\phi$ 5.5mm (-CA1GTY-14 type)

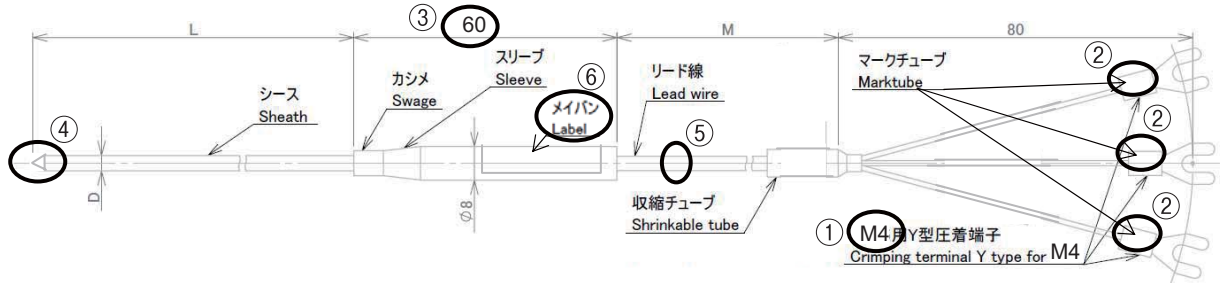
#### 5. The element part of compensating lead wire (-□1GTY type) :

With a clear tube



## Dimensions

### Product discontinuation Model E52-P[J]A



**1. Size of Y type crimping terminal:**

For M4 (Shape corresponding to M4 screw terminal block and M3.5 screw terminal block.)

**2. The location of the identification marking tube:**

The sleeve part of the Y type crimping terminal

**3. The sleeve size of the sheath:**

L=60mm

**4. Sleeve nose shape:**

Cone-shaped

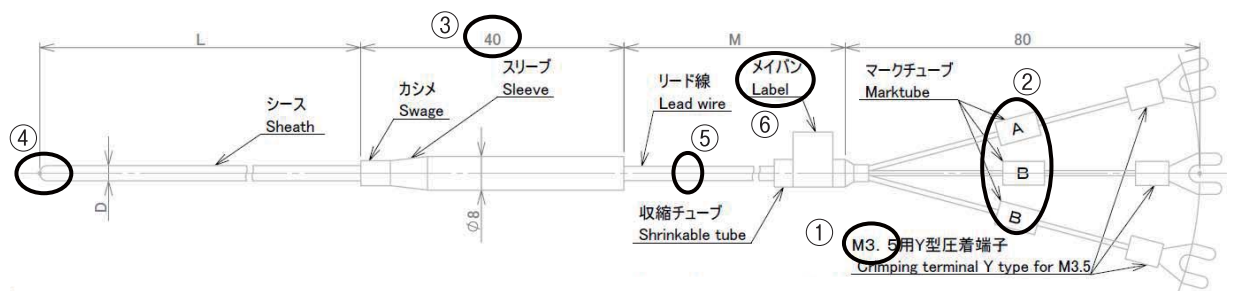
**5. The external dimensions of the lead wire:**

Approx.  $\phi$  5.0mm (for heat resistive)

**6. The sticking location of the name plate (product label):**

The sleeve surface of the sheath

### Recommendable replacement Model E52-P[J]AY



**1. Size of Y type crimping terminal:**

For M3.5 (Shape corresponding to M3 screw terminal block and M3.5 screw terminal block.)

**2. The location of the identification marking tube:**

The element part of lead wire

**3. The sleeve size of the sheath:**

L=40mm

**4. Sleeve nose shape:**

Sphere-shaped

**5. The external dimensions of the lead wire:**

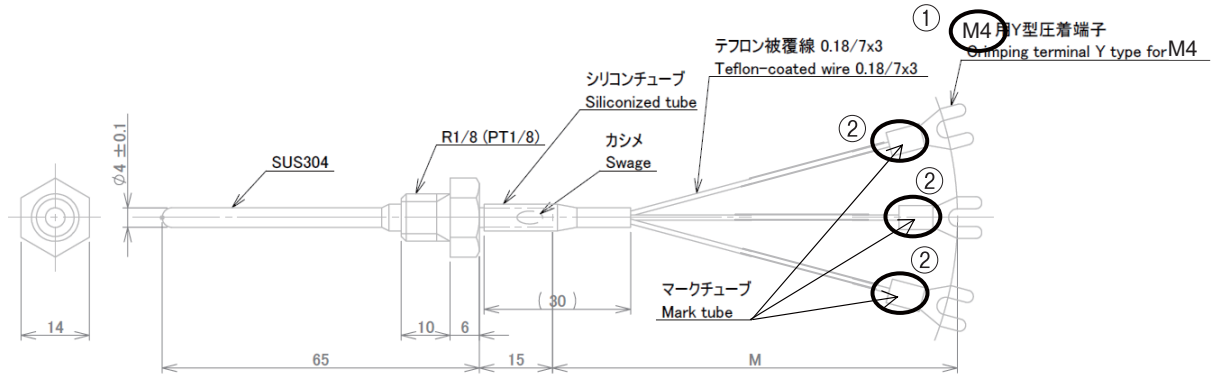
Approx.  $\phi$  4.0mm (for heat resistive)

**6. The sticking location of the name plate (product label):**

The shrinkable tube part of lead wire termination

## Dimensions

### Product discontinuation Model E52-P6D



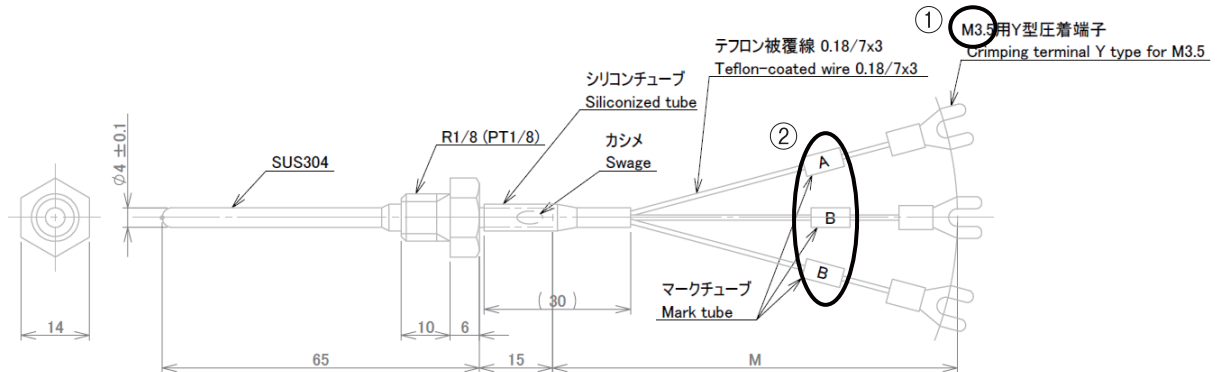
#### 1. Size of Y type crimping terminal:

For M4 (Shape corresponding to M4 screw terminal block and M3.5 screw terminal block.)

#### 2. The location of the identification marking tube:

The sleeve part of the Y type crimping terminal

### Recommendable replacement Model E52-P6DY



#### 1. Size of Y type crimping terminal:

For M3.5 (Shape corresponding to M3 screw terminal block and M3.5 screw terminal block.)

#### 2. The location of the identification marking tube:

The element part of lead wire

## Characteristics

There are no change points of the characteristics except for following goods.

<b>Item</b>	<b>Product discontinuation Model E52-CA1GT-14</b>	<b>Recommendable replacement Model E52-CA1GTY-14</b>
Measurement temperature range	0 to 300 °C	0 to 200 °C

<b>Item</b>	<b>Product discontinuation Model E52-P[]A</b>	<b>Recommendable replacement Model E52-P[]AY</b>
Measurement temperature range	-200 to 450 °C	-196 to 450 °C

As of April 2012

In the interest of product improvement, specifications are subject to change without notice.