

**Discontinuation Notice of Photoelectric Sensor
E3X-DA[]TW series (for china area only)**

Product Discontinuation

Recommended Replacement



**E3X-DA11TW/DA41TW
E3X-DA6TW/DA8TW**



**E3X-DA21-S/DA51-S
E3X-DA7-S/DA9-S**

Discontinuation date : The end of March, 2012

Caution on recommended replacement

E3X-DA[]TW series

- The method of AMP adjustment is different , Please attention
- The expression of AMP is different. The Light reception and the function concent of Substitute is expressed by red font (The left of product), The Threshold and the function setting is expressed by green font (The right of product).
- The location of light that express AMP is different, Please attention
- The size of body is different, Please confirm the size of setting
- The Residual voltage is different, Please attention on Input Characteristics of following control unit when it is used
- The Standard distance of the suspended Production is 300mm (use E32-DC200), The distance of the Substituted Production is 600mm (use E32-DC200), Because the distance gets longer, So we need adjust the Standard distance

Difference from discontinued product

E3X-DA11TW/DA41TW

Model	Body Color	Dimensions	Wire connection	Mounting Dimensions	Characteristics	Operation ratings	Operation methods
E3X-DA21-S/DA51-S	**	--	*	*	**	*	*

** : Fully compatible

* : The change is a little/Almost compatible

-- : Not compatible

- : No corresponding specification

E3X-DA6TW/DA8TW

Model	Body Color	Dimensions	Wire connection	Mounting Dimensions	Characteristics	Operation ratings	Operation methods
E3X-DA7-S/DA9-S	**	--	*	*	**	*	*

** : Fully compatible

* : The change is a little/Almost compatible

-- : Not compatible

- : No corresponding specification

Product Discontinuation and recommended replacement

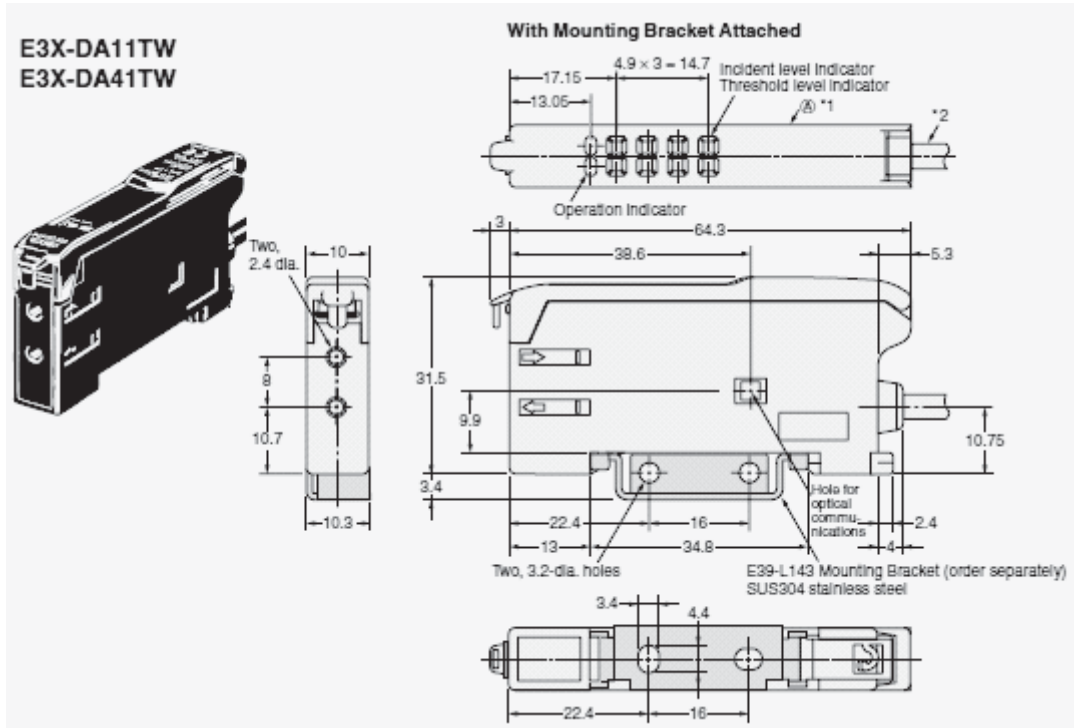
Product discontinuation	Recommended replacement
E3X-DA11TW 2M	E3X-DA21-S 2M
E3X-DA41TW 2M	E3X-DA51-S 2M
E3X-DA6TW	E3X-DA7-S
E3X-DA8TW	E3X-DA9-S

Body color

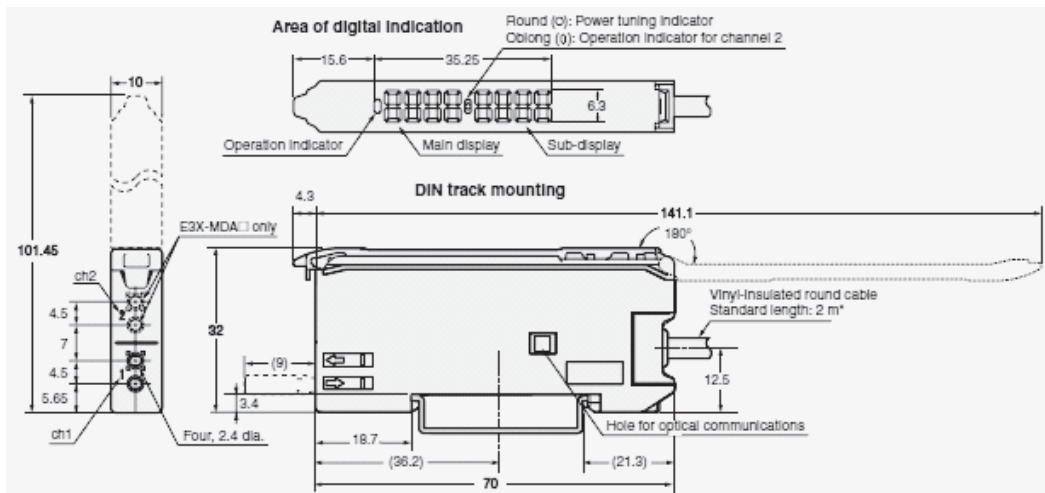
Product discontinuation E3X-DA[]TW series	Recommendable replacement E3X-DA[]-S series
Black	Black

Dimensions

Product discontinuation E3X-DA11TW/DA41TW

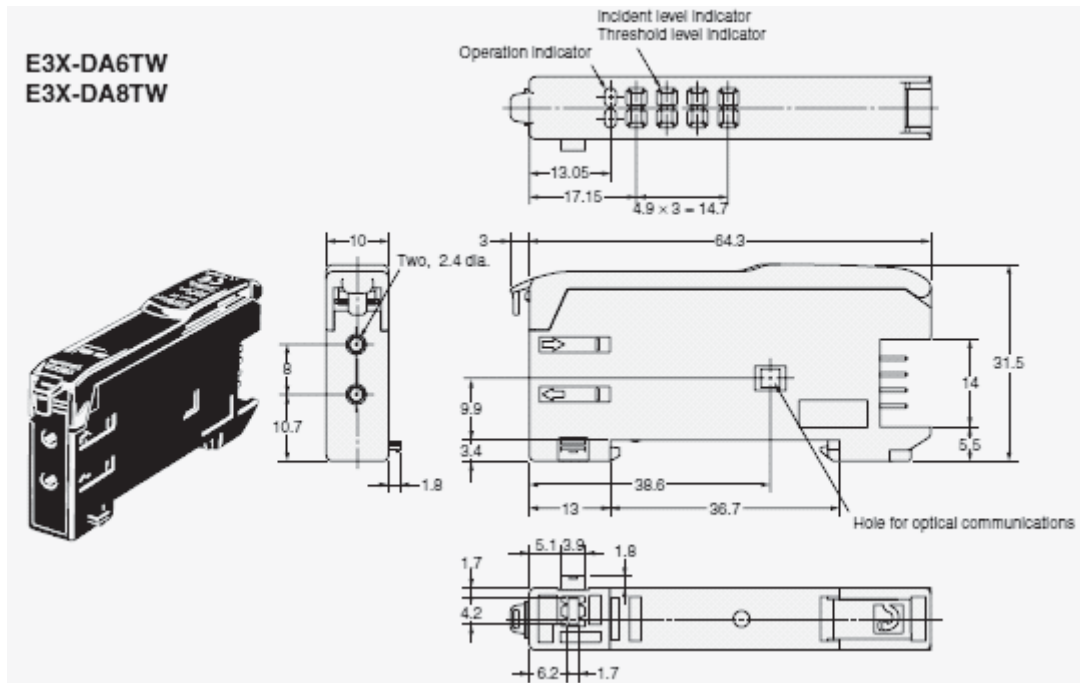


Recommendable replacement E3X-DA21-S/DA51-S

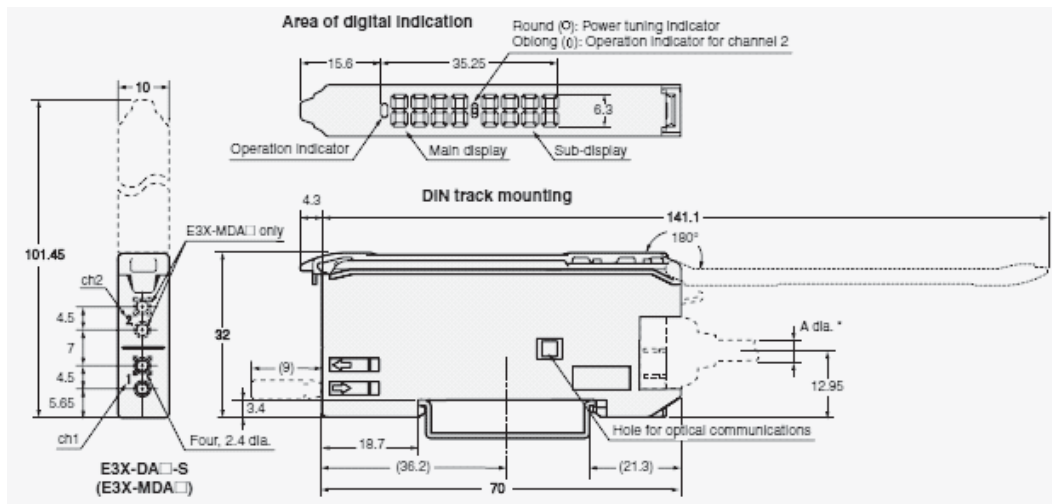


Dimensions

Product discontinuation E3X-DA6TW/DA8TW



Recommendable replacement E3X-DA7-S/DA9-S

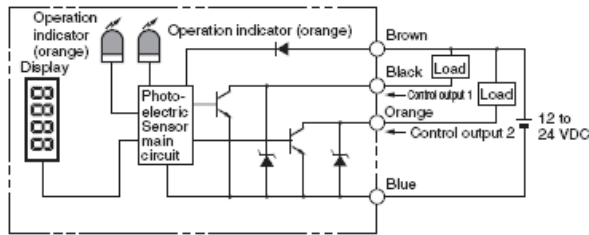


Wire connection

Product discontinuation
E3X-DA11TW/DA41TW
E3X-DA6TW/DA8TW

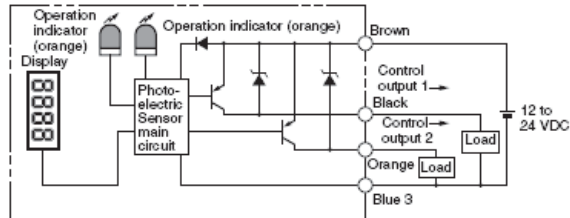
NPN Output

E3X-DA11TW
 E3X-DA6TW



PNP Output

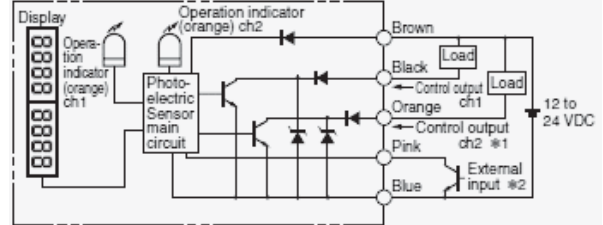
E3X-DA41TW
 E3X-DA8TW



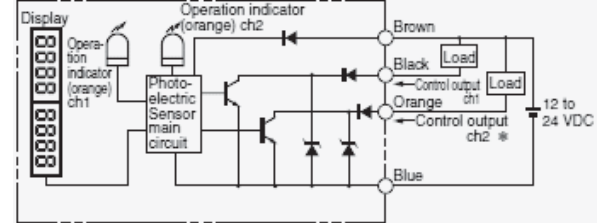
Recommendable replacement
E3X-DA21-S/DA51-S
E3X-DA7-S/DA9-S

NPN Output

E3X-DA21-S

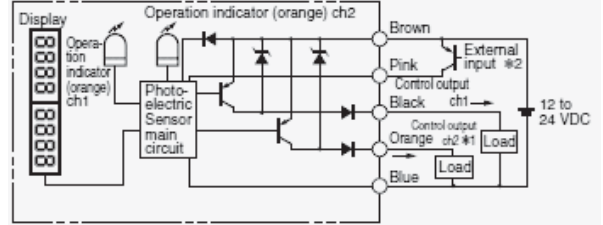


E3X-DA7-S

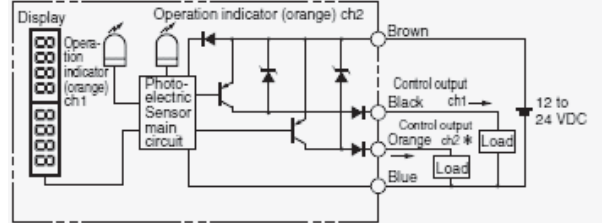


PNP Output

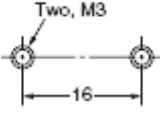
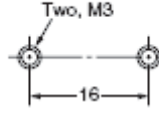
E3X-DA51-S



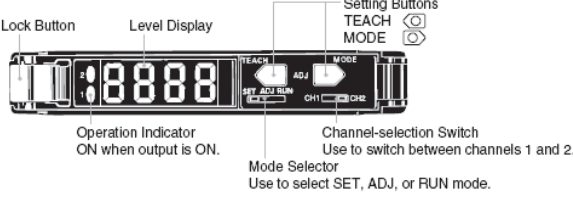


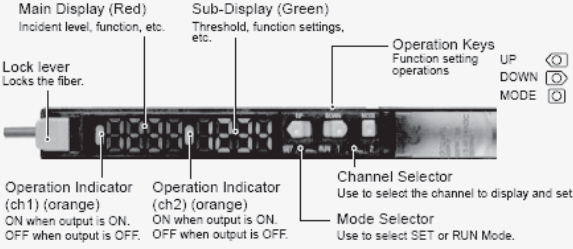


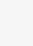
E3X-DA9-S



Mounting dimensions

Product discontinuation E3X-DA[]TW series	Recommendable replacement E3X-DA[]-S series
<p style="text-align: center;">Mounting Holes</p>  <p style="text-align: center;">Two, M3 16</p>	<p style="text-align: center;">Mounting Holes</p>  <p style="text-align: center;">Two, M3 16</p>

Nomenclature

Product discontinuation E3X-DA[]TW series	Recommendable replacement E3X-DA[]-S series
<p>Twin-output Models</p>  <p>Lock Button</p> <p>Level Display</p> <p>Setting Buttons TEACH  MODE </p> <p>Operation Indicator ON when output is ON.</p> <p>Channel-selection Switch Use to switch between channels 1 and 2.</p> <p>Mode Selector Use to select SET, ADJ, or RUN mode.</p>	 <p>Main Display (Red) Incident level, function, etc.</p> <p>Sub-Display (Green) Threshold, function settings, etc.</p> <p>Operation Keys Function setting operations UP  DOWN  MODE </p> <p>Lock lever Locks the fiber.</p> <p>Operation Indicator (ch1) (orange) ON when output is ON. OFF when output is OFF.</p> <p>Operation Indicator (ch2) (orange) ON when output is ON. OFF when output is OFF.</p> <p>Channel Selector Use to select the channel to display and set.</p> <p>Mode Selector Use to select SET or RUN Mode.</p>

Operation methods

Product discontinuation E3X-DA[]TW series	Recommendable replacement E3X-DA[]-S series
<p style="text-align: center;">Operation with slide switch and push button</p>	<p style="text-align: center;">Operation with slide switch and push button.</p>

Characteristics

Item	Product discontinuation E3X-DA11/41TW E3X-DA6/8TW	Recommendable replacement E3X-DA21/51-S E3X-DA7/9-S
Light source (wavelength)	Red LED (660 nm)	Red, 4-element LED (625 nm)
Current consumption/ Power consumption	<p>Normally: 960 mW max. (current consumption: 40 mA max. at power supply voltage of 24 VDC)</p> <p>Eco Mode: 720 mW max. (current consumption: 30 mA max. at power supply voltage of 24 VDC)</p> <p>Digital display not lit: 600 mW max. (current consumption: 25 mA max. at power supply voltage of 24 VDC)</p>	<p>Normal mode: 960 mW max. (current consumption: 40 mA max. at 24 VDC, 80 mA max. at 12 VDC)</p> <p>Power saving ECO1: 720 mW max. (current consumption: 30 mA max. at 24 VDC, 60 mA max. at 12 VDC)</p> <p>Power saving ECO2: 600 mW max. (current consumption: 25 mA max. at 24 VDC, 50 mA max. at 12 VDC)</p>
Control output	<p>Load current: 50 mA (residual voltage (NPN/PNP): 1 V max.,</p> <p>Open collector (NPN or PNP output, depending on the model)</p> <p>Light ON/Dark ON selectable</p>	<p>Load power supply voltage: 26.4 VDC max.; NPN/PNP open collector;</p> <p>load current: 50 mA max.; residual voltage: 2 V max.</p>
Protection circuits	Power supply reverse polarity, Output short-circuit protection, Mutual interference prevention (supported for up to 10Units)	Power supply reverse polarity protection, output short-circuit protection and output reverse polarity protection
Response time	<p>Super-high-speed Mode: 0.5ms for operation and reset respectively</p> <p>Standard Mode: 2ms operation and reset</p> <p>Super-long distance Mode: 7ms for operation and reset respectively</p>	<p>Super-high-speed mode: Operate or reset: 80µs</p> <p>High-speed Mode: Operate or reset: 250µs</p> <p>Standard Mode: Operate or reset: 1ms</p> <p>High- resolution Mode: Operate or reset: 4ms</p> <p>Tough Mode: Operate or reset: 16m</p>

Characteristics

Item	Product discontinuation E3X-DA11/41TW E3X-DA6/8TW	Recommendable replacement E3X-DA21/51-S E3X-DA7/9-S
Functions	<p>Timer function OFF -delay timer: 0 to 200 ms, 1 to 20 ms (set in 1-ms units); 20 to 200 ms (set in 5-ms units) Using Mobile Console: OFF delay, ON delay, or one shot (selectable)</p> <p>Automatic power control (APC): Fiber-optic current digital control</p> <p>Zero-reset: Negative values can be displayed.</p> <p>Initial reset: Settings can be returned to defaults as required.</p>	<p>Power tuning : Light emission power and reception gain, digital control method</p> <p>Differential detection: Switchable between Single-edge and Double-edge Detection Modes. Single edge: Set to 250 μs, 500 μs, 1 ms, 10 ms, or 100 ms. Double edge: Set to 500 μs, 1 ms, 2 ms, 20 ms, or 200 ms</p> <p>Automatic power control (APC): Always enabled. High-speed control of emission current Wide-range APC for the E3X-DA[R-S]</p> <p>Timer: Select from timer disabled, OFF-delay, ON-delay, One-shot, or ON-delay + OFF-delay timer 1 ms to 5 s (1 to 20 ms set in 1-ms increments, 20 to 200 ms set in 10-ms increments, 200 ms to 1 s set in 100-ms increments, and 1 to 5 s set in 1-s increments)</p> <p>ATC: Provided</p> <p>Zero reset : Negative values can be displayed. (Threshold value is shifted.)</p> <p>Resetting settings : Select from initial reset (factory defaults) or user reset (saved settings).</p> <p>Mutual interference prevention Possible for up to 10 units</p> <p>ECO Mode : Select from OFF (digital display lit), ECO1 (digital display dimmed), and ECO2 (digital display OFF).</p> <p>External input setting : Select from teaching operations, power tuning, zero reset, emitter OFF, or ATC start.</p> <p>Output setting : Select from output for each channel, area output, or self-diagnosis.</p>
Indicators	<p>Operation indicator (orange), 7-segment digital incident level display (red), 7-segment digital incident level percentage display (red), threshold and excess gain 2-color double bar indicators (green and red), 7-segment digital threshold display (red)</p>	<p>Operation indicator for channel 1 (orange) Operation indicator for channel 2 (orange)</p>
Ambient temperature range	<p>Operating: Groups of 1 to 3 Amplifiers: -25 to 55°C Groups of 4 to 11 Amplifiers: -25 to 50°C Groups of 12 to 16 Amplifiers: -25 to 45°C Storage:-30 to 70°C (with no icing or condensation)</p>	<p>Operating: Groups of 1 to 2 Amplifiers: -25 to 55°C Groups of 3 to 10 Amplifiers: -25 to 50°C Groups of 11 to 16 Amplifiers: -25 to 45°C</p>