

## Product Discontinuation Notices

August 1, 2011

Photoelectric Sensors

No. 2011237E-2

### Discontinuation Notice of E3S-C (special specification) series (for china area only)

#### Product Discontinuation

#### Recommended Replacement



Transparent bottle sensors

**E3S-CR62/67**

Gloss label sensors

**E3S-CD63/68**

Distance-settable photoelectric  
sensors with metal case

**E3S-CL[] series**

Oil-resistive, Long-range  
photoelectric sensor with metal housing

**E3S-CT11[] series**

**E3S-CT61[] series**

**E3S-CT66[] series**



**E3ZM-B[]T**

No recommended replacement

**E3S-CL[]**

**E3S-CT11**

**E3S-CT61 5M**

**E3S-CT66**

\* Please check detailed series of product discontinuation and recommended replacement.

**Discontinuation date : The end of March, 2012**

## Caution on recommended replacement

### E3S-CR62/67

- Each applicable replacement is only equipped with either NPN output or PNP output.
- Replace the sensor together with special reflector. (Replacing the sensor only will lead to the malfunction of the sensor.)
- The outline dimensions of the sensor and mounting dimensions change. Please refer to the dimension drawing for detail.
- Please be noted that E3S-CR6[]-C sensors do not come with the reflector, while E3ZM-[]-C come with the reflector.
- Connector type is changes from M12 to M8 in connector diameter.

### E3S-CD63/68

No recommended replacement products.

### E3S-CL[]/CT[]

[Distance-settable photoelectric sensor with metal case]

- Cable length changes. Please refer to the product discontinuation and recommended replacement.
- The recommended replacement products will be code type connector.

[Oil-resistive ,Long-range photoelectric sensor with metal housing]

- Length changes. Please refer to the product discontinuation and recommended replacement.
- The recommended replacement products will be code type connector.

## Difference from discontinued product

### E3S-CR62/67

Model	Body Color	Dimensions	Wire connection	Mounting Dimensions	Characteristics
E3ZM-B[]1T	--	--	*	--	*
E3ZM-B[]6T	--	--	*	--	*

### E3S-CD63/68

Model	Body Color	Dimensions	Wire connection	Mounting Dimensions	Characteristics
No recommended replacement	-	-	-	-	-

### E3S-CL[]/CT[]

Model	Body Color	Dimensions	Wire connection	Mounting Dimensions	Characteristics
E3S-CL[]	**	--	**(--)	**	**
E3S-CT[]1	**	--	**	**	**
E3S-CT66	**	--	**	**	**

\*\* : Fully compatible

\* : The change is a little/Almost compatible

-- : Not compatible

- : No corresponding specification

**Product Discontinuation and recommended replacement**

	<b>Product discontinuation</b>	<b>Recommended replacement</b>
E3S-CR62/67	E3S-CR62 2M	E3ZM-B61T 2M E3ZM-B81T 2M
	E3S-CR62-C 2M	E3ZM-B61T 2M E3ZM-B81T 2M
	E3S-CR62-C 5M	E3ZM-B61T 2M E3ZM-B81T 2M
	E3S-CR67	E3ZM-B66T E3ZM-B86T
	E3S-CR67-C	E3ZM-B66T E3ZM-B86T
	E3S-CR67-1	E3ZM-B66T E3ZM-B86T
E3S-CD63/68	E3S-CD63 2M	No recommended replacement
	E3S-CD68	No recommended replacement
E3S-CL[]/CT[]	E3S-CL1 10M	E3S-CL1 5M
	E3S-CL2-M3J 0.3M	E3S-CL2 2M
	E3S-CT11 10M	E3S-CT11 5M
	E3S-CT11 30M	E3S-CT11 5M
	E3S-CT11-L-4	E3S-CT11 2M
	E3S-CT11-L-5 5M	E3S-CT11 5M
	E3S-CT11-L 5M	E3S-CT11 5M
	E3S-CT11-D 5M	E3S-CT11 5M
	E3S-CT11-D-1 5M	E3S-CT11 5M
	E3S-CT61 10M	E3S-CT61 5M
	E3S-CT66-L-5	E3S-CT66
	E3S-CT61-D-1 5M	E3S-CT61 5M
	E3S-CT61-D-6 5M	E3S-CT61 5M
E3S-CT66-L-5	E3S-CT66	

\* Products not listed in the above list will continue to produce in the future.

# E3S-CR62/67

## Body color

Product discontinuation E3S-CR62(-C)	Recommended replacement E3ZM-B61T/-B81T
Dark gray	silver

## Dimensions

**Product discontinuation  
E3S-CR62**

**Pre-wired type  
E3S-CR62**

With Mounting Bracket Attached

4-dia. vinyl-insulated round cable with 3 conductors (Conductor cross section: 0.2 mm<sup>2</sup>, Insulator diameter: 1.2 mm), Standard length: 2 m

Optical axis

Optical axis

Receiver, Emitter

Stainless steel (SUS304)

Stability Indicator (green)

Light Indicator (red)

(A)\*1 M3 x 5

Two, M4

**Recommended replacement  
E3ZM-B61T/-B81T**

**Pre-wired type  
E3ZM-B61T/-B81T**

Operation Indicator (yellow)

Stability Indicator (green)

Sensitivity adjuster

Operation selector

Lens 6 dia.

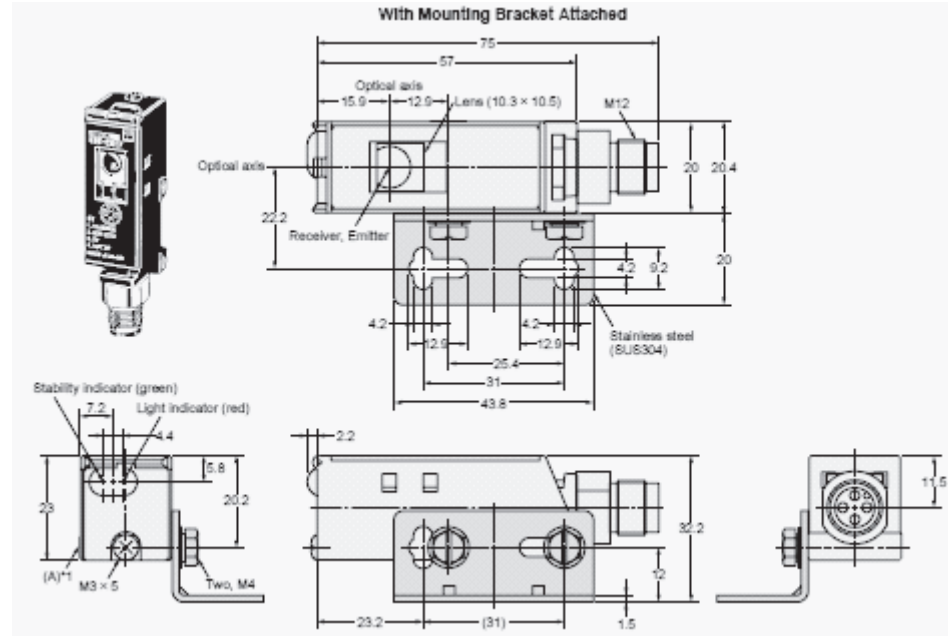
Two, M3

4 dia. vinyl-insulated round cable with 3 conductors (Conductor cross section: 0.2 mm<sup>2</sup> (AWG24), Insulator diameter: 1.1 mm), Standard length: 2 m

## Dimensions

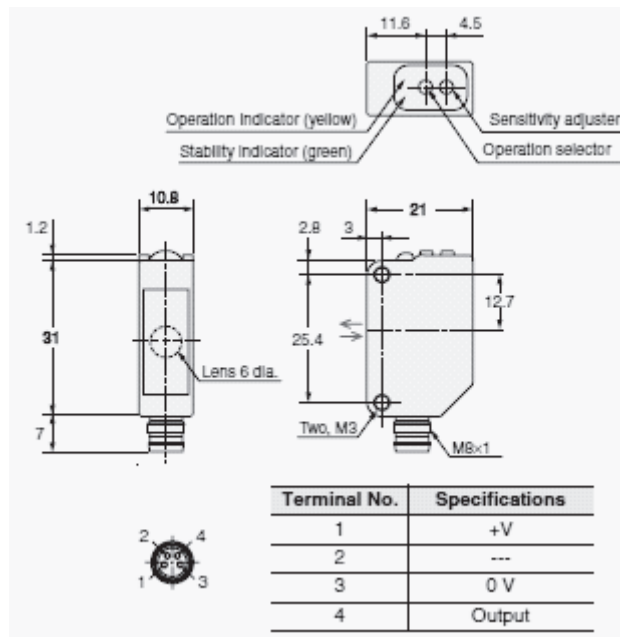
### Product discontinuation E3S-CR67□

#### Connector type E3S-CR67□



### Recommended replacement E3ZM-B66T/-B86T

#### Connector type E3ZM-B66T/-B86T



## Wire Connection

Product discontinuation E3S-CR6[]	Recommended replacement E3ZM-B6[]T/-B8[]T
<p><b>NPN Output</b></p> <p style="text-align: center;">* Set the selector switch to the NPN side.</p> <p style="text-align: center;">Connector Pin Arrangement</p> <p style="text-align: center;">Note: Pin 2 is not used.</p> <p><b>PNP Output</b></p> <p style="text-align: center;">* Set the selector switch to the PNP side.</p> <p style="text-align: center;">Connector Pin Arrangement</p> <p style="text-align: center;">Note: Pin 2 is not used.</p>	<p><b>NPN Output</b> E3ZM-B6[]T</p> <p style="text-align: center;">M8 4-pin Connector Pin Arrangement</p> <p><b>PNP Output</b> E3ZM-B8[]T</p> <p style="text-align: center;">M8 4-pin Connector Pin Arrangement</p>

## Mounting dimensions

Product discontinuation E3S-CR6[]	Recommended replacement E3ZM-B6[]T/-B8[]T
<p style="text-align: center;"><b>Mounting Holes</b></p> <p style="text-align: center;">Two, M4</p> <p style="text-align: center;">25.4</p>	<p style="text-align: center;"><b>Mounting Holes</b></p> <p style="text-align: center;">Two, M3</p> <p style="text-align: center;">25.4</p>

## Characteristics

Item	Product discontinuation E3S-CR6[]	Recommended replacement E3ZM-B6[]T/-B8[]T
<b>Sensing distance</b>	250 to 1000mm (Using E39-R1) 250mm (Using E39-R6)	100 to 500mm (Using E39-RP1)
<b>Standard sensing object</b>	30-mm dia. × 150 mm glass tube (thickness:1.8mm)	500ml, transparent, Round PET bottle (65-mm dia.)
<b>Directional angle</b>	2 to 6°	Sensor: 3 to 10° Reflector: 30°
<b>Current consumption</b>	40mA max	25mA max
<b>Control output</b>	Load power supply voltage: 30VDC max., Load current: 100mA max., (Residual voltage : NPN output 1.2V max., PNP output 2V max., Open collector model (NPN/PNP selectable), Light-ON/Dark-ON selectable	Load power supply voltage: 30VDC max., Load current: 100mA max., (Residual voltage: 2V max.,  Open collector model (NPN/PNP output depending on model),
<b>Sensitivity adjustment</b>	2-turn endless adjuster (with indicator)	One-turn adjuster

## Operation methods

Product discontinuation E3S-CR6[]	Recommended replacement E3ZM-B6[]T/-B8[]T
Sensitivity adjustment: 2-turn endless adjuster (with indicator)	Sensitivity adjustment: One-turn adjuster

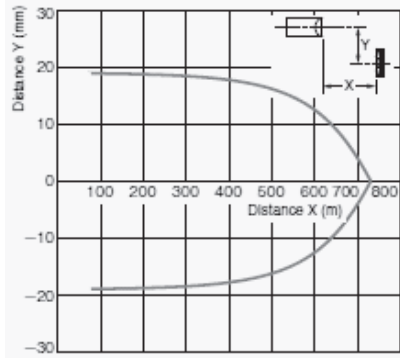
## Accessories

Product discontinuation E3S-CR6[]	Recommended replacement E3ZM-B6[]T/-B8[]T
Clamps (with screws) Adjustment driver Instruction manual Reflective Plate  * E3S-CR6[]-C is not attached to the reflector	Instruction manual    * E3ZM-B[]-C is attached to the reflector

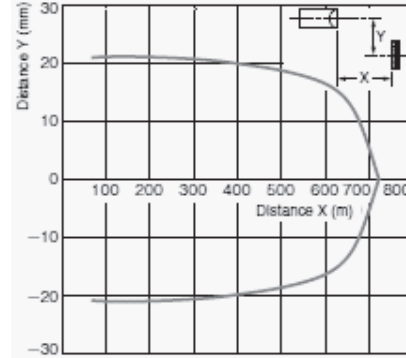
## Operation rating

### Product discontinuation E3S-CR62/67

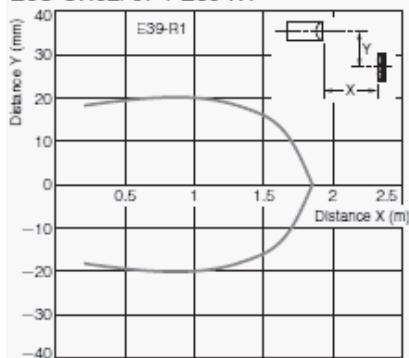
Parallel Operating Range (Vertical)  
E3S-CR62/67 + E39-R6



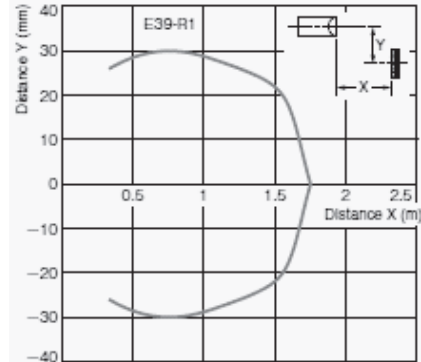
Parallel Operating Range (Horizontal)  
E3S-CR62/67 + E39-R6



Parallel Operating Range (Vertical)  
E3S-CR62/67 + E39-R1

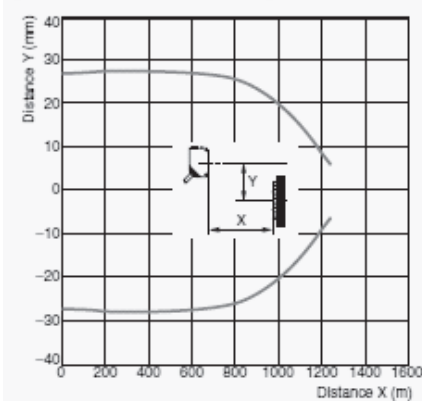


Parallel Operating Range (Horizontal)  
E3S-CR62/67 + E39-R1

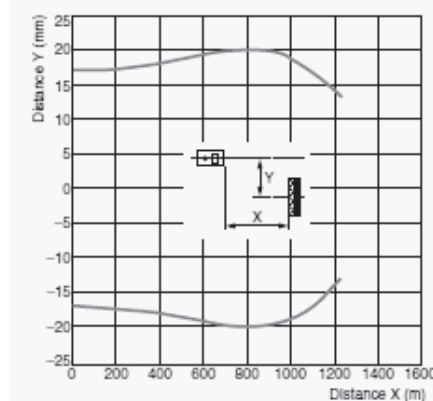


### Recommended replacement E3ZM-B

Parallel Operating Range (Vertical)  
E3ZM-B  
(measured with E39-RP1)



Parallel Operating Range (Horizontal)  
E3ZM-B  
(measured with E39-RP1)



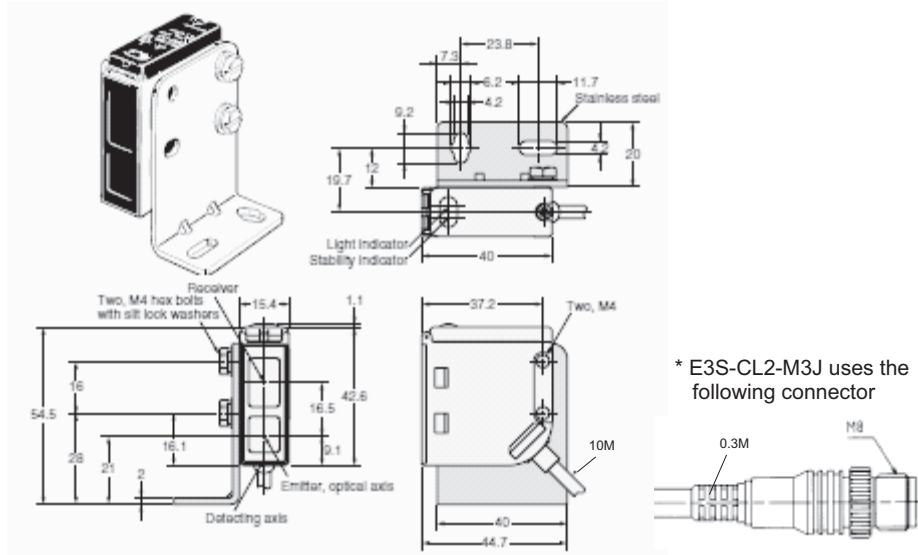


# E3S-CL[]/CT[]

## Dimensions

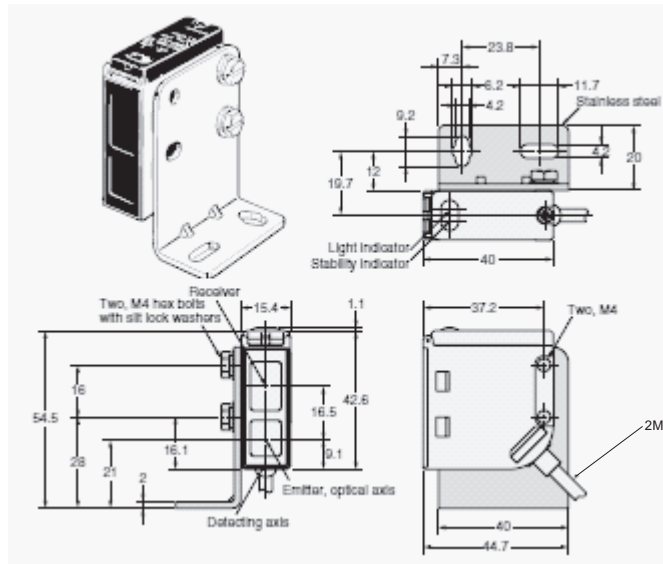
### Product discontinuation E3S-CL[]

E3S-CL1 10M/-CL2-M3J 0.3M series



### Recommended replacement E3S-CL1 5M/-CL2 2M

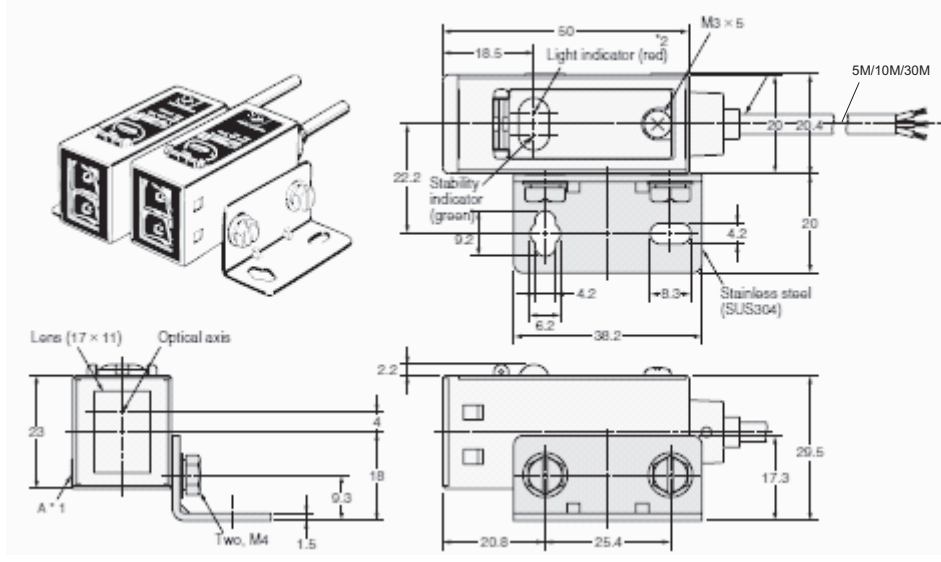
E3S-CL1 2M/-CL2 2M series



**Dimensions**

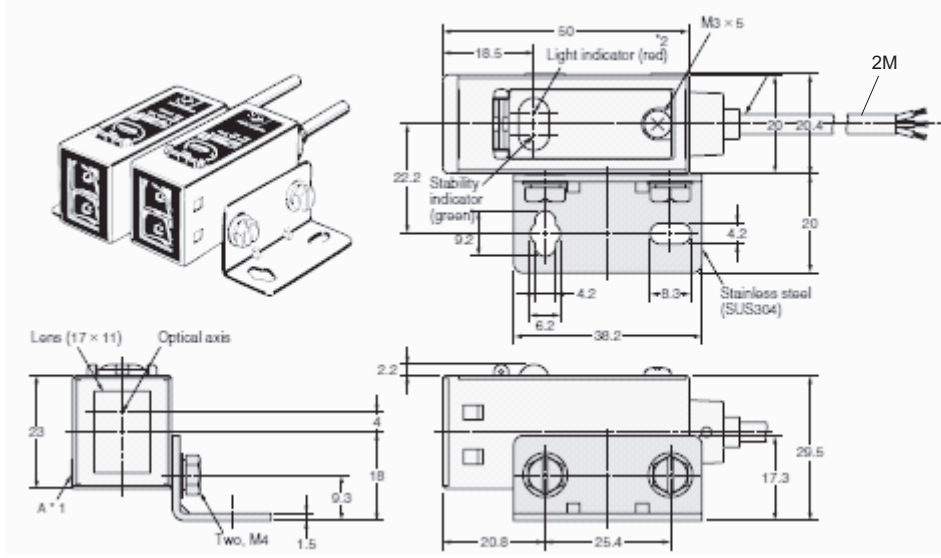
**Product discontinuation  
E3S-CT1[]**

E3S-CT11 10M/-CT11 30M/-CT11-L-4/-CT11-L-5 5M series



**Recommended replacement  
E3S-CT11 2M**

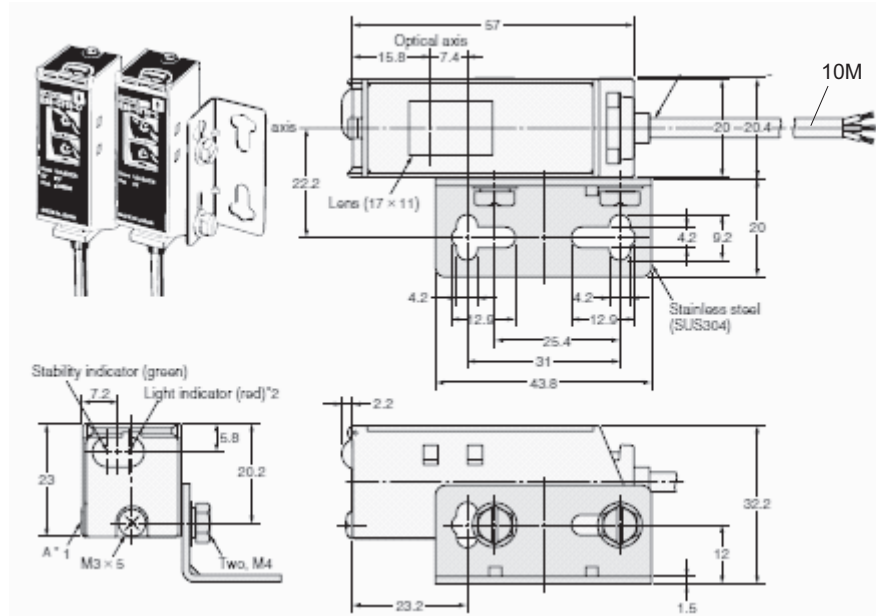
E3S-CT11 2M/-CT11 5M series



## Dimensions

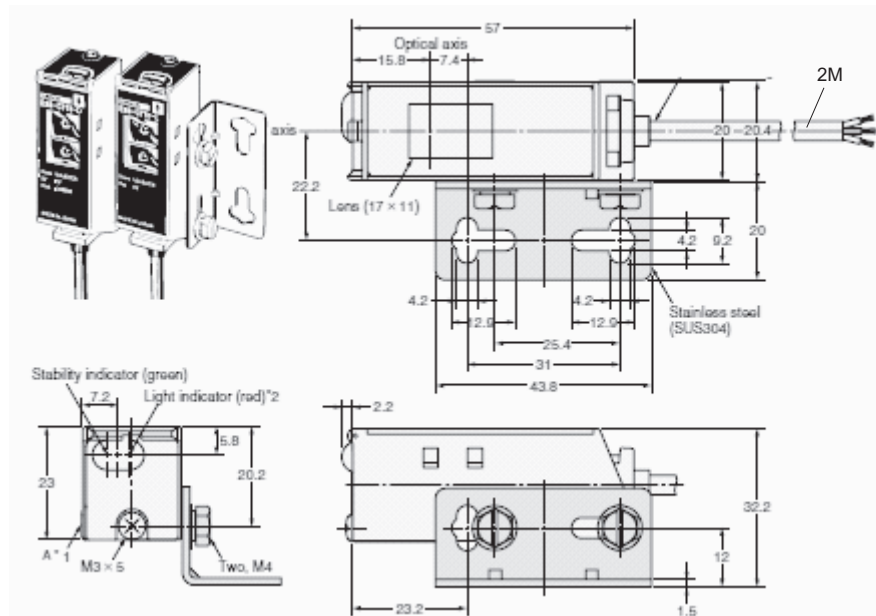
### Product discontinuation E3S-CT6[]

E3S-CT61 10M series



### Recommended replacement E3S-CT61 5M

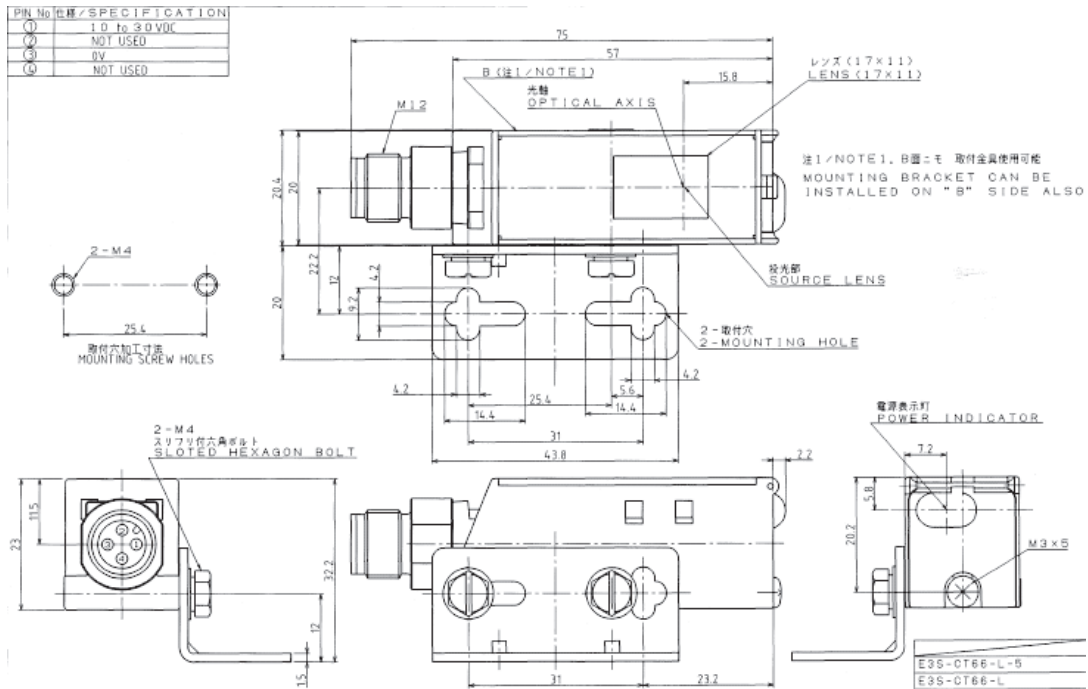
E3S-CT61 5M series



## Dimensions

### Product discontinuation E3S-CT66-1-5

#### E3S-CT66-L-5 series



### Recommended replacement E3S-CT66

#### E3S-CT66 series

