

## Product Discontinuation Notices

Photoelectric Sensors

Issue Date  
January 5, 2015

No. 2015002CE

### Discontinuation Notice of Oil-resistant, Long-range Photoelectric Sensor with Metal Housing type E3S-CT11-4.

#### Product Discontinuation

Oil-resistant, Long-range Photoelectric Sensor with Metal Housing



**Model E3S-CT11-4**



#### Recommended Replacement

No recommended replacement

#### [ Discontinuation date ]

The end of March, 2015

#### [ Product Discontinuation and recommended replacement ]

Product discontinuation	Recommended replacement
E3S-CT11-4	No recommended replacement

#### [ Body color ]

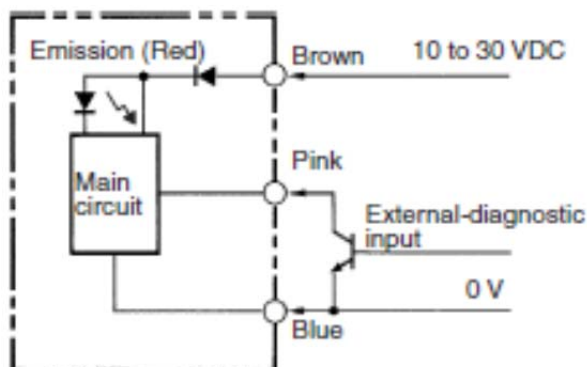
Product discontinuation Model E3S-CT11-4
Darg gray

[ Wire connection ]

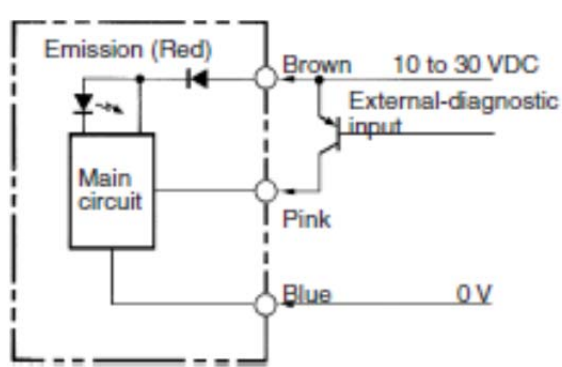
Product discontinuation  
Model E3S-CT11-4

Emitter

NPN

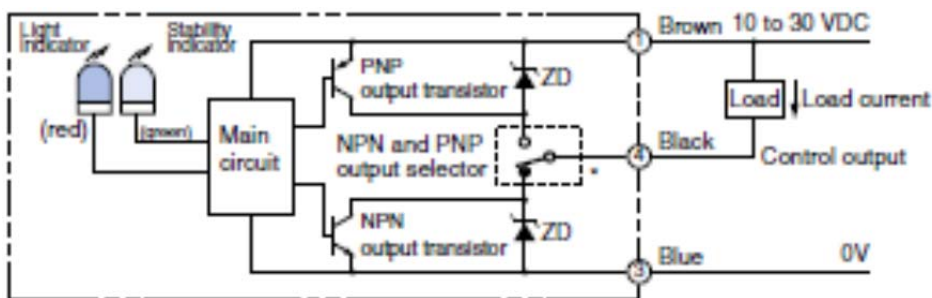


PNP



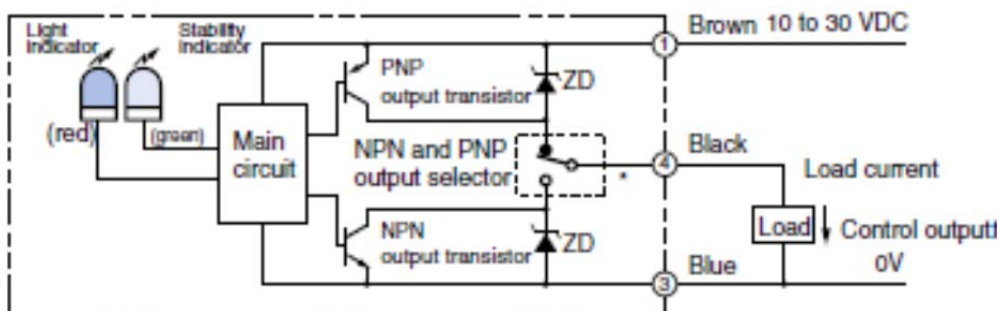
Receiver

NPN



\* Note: Set the NPN and PNP output selector to NPN.

PNP

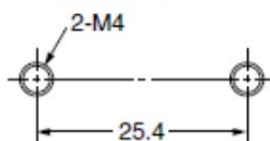


\* Note: Set the NPN and PNP output selector to PNP.

[ Mounting dimensions ]

Product discontinuation  
Model E3S-CT11-4

Mounting holes





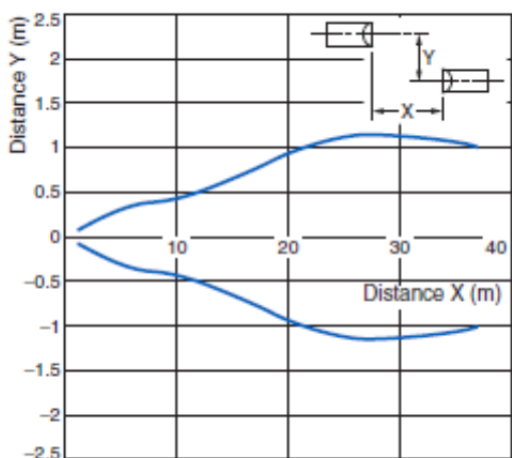
## [ Characteristics ]

Item		Product discontinuation Model E3S-CT11-4
<b>Sensing distance</b>		30 m
<b>Standard sensing object</b>		15 mm min.
<b>Directional angle</b>		3 to 15 degrees
<b>Wavelength of LED light source</b>		880 nm (infrared)
<b>Power supply voltage</b>		10 to 30 V DC, ripple: 10% max.
<b>Current consumption</b>		Both emitter and receiver: 25 mA max.
<b>Control output</b>		Load supply voltage 30 VDC max., load current 100 mA max. (residual voltage NPN output: 1.2 V max., PNP output: 2.0 V max.) Open collector output type (NPN/PNP switch selectable) Light-ON/Dark-ON switch selectable
<b>External diagnostic input</b>		With emitter OFF: NPN: 0 V short-circuit or 1.5 V max. (push current: 1 mA max.) PNP: DC short-circuit or -1.5 V DC max. (pull current: 3 mA max.) With emitter ON: NPN/PNP Open (max. input voltage: 30 V max. with 0.1 mA current leakage)
<b>Circuit protection</b>		Load short-circuit protection Reverse connection protection
<b>Response time</b>		Operation or reset: 1 ms max.
<b>Sensitivity adjustment</b>		Single-turn adjustment
<b>Ambient illumination</b>		Incandescent lamp: Illumination on optical spot: 5,000 lx max. Sunlight: Illumination on optical spot: 10,000 lx max.
<b>Ambient temperature</b>		Operating: -25°C to +55°C (with no icing) Storage: -40°C to +70°C (with no icing)
<b>Ambient humidity</b>		Operating: 35% to 85% Storage: 35% to 95%
<b>Insulation resistance</b>		20 MΩ min. (at 500 V DC)
<b>Dielectric strength</b>		1,000 V AC, 50/60 Hz for 1 min
<b>Vibration resistance</b>		10 to 2,000 Hz double amplitude 1.5 mm or 300 m/s <sup>2</sup> for 0.5 h in each of X, Y, Z directions
<b>Shock resistance</b>		1,000 m/s <sup>2</sup> (approx. 100G) 3 times each in X, Y, and Z directions
<b>Protective structure</b>		IEC Standard IP67, NEMA 6P (limited to indoors use)
<b>Material</b>	<b>Case</b>	Zinc diecast
	<b>Operation panel cover</b>	Polyethyl sulfon
	<b>Lens</b>	Acrylics
	<b>Mounting Brackets</b>	Stainless steel (SUS304)
<b>Accessories</b>		Mounting bracket (with screws), adjusting screwdriver

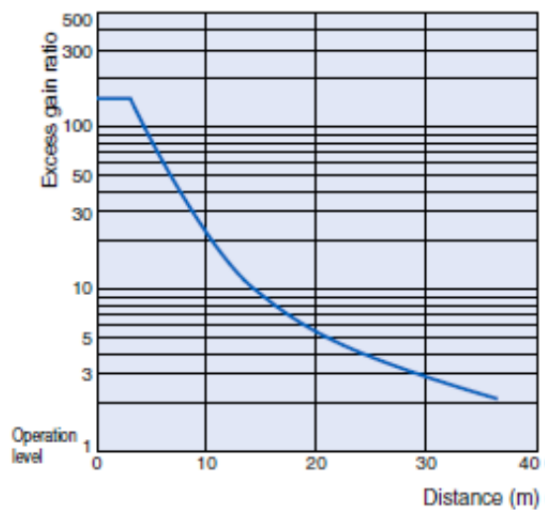
[ Operation ratings ]

Product discontinuation  
Model E3S-CT11-4

Parallel Operating Range (Typical)



Excess Gain vs. Set Distance(Typical)



Specifications and prices in this product news are as of the issue date and are subject to change without notice. Only main changes in specifications are described in this document. Please be sure to read the relevant catalogs, datasheets, product specifications, instructions, and manuals for precautions and necessary information when using products.