

Discontinuation Notice of E2E-X[] (M)Y[]-53(US) series.

Product Discontinuation

Standard Proximity Sensor

Model

E2E-X[] (M)Y[]-53 series

Model

E2E-X[] (M)Y[]-53US series



Recommended Replacement

Standard Proximity Sensor

Model

E2E-X[] (M)Y[]-US series

[Discontinuation date]

The end of March, 2015

[Caution on recommended replacement]

1. As for a substitute, a thread part is with a fraise cut.
2. In the cord withdrawals department, a protector becomes with a cord
3. The load short circuit protection feature of a substitute is lost.

[Difference from discontinued product]

Recommended replacement Model	Body Color	Dimen-sions	Wire connection	Mounting Dimensions	Charact-eristics
E2E-X[] (M)Y[]-US series	**	*	**	**	*

** : Compatible

* : The change is a little/Almost compatible

-- : Not compatible

- : No corresponding specification

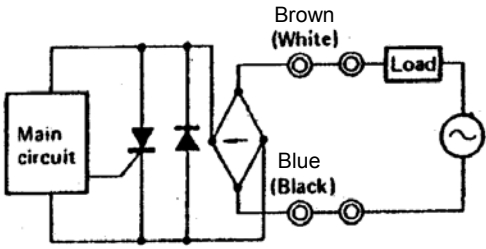
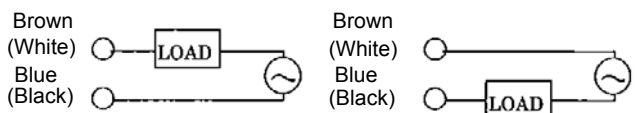
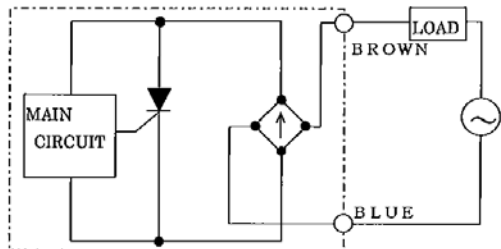

[Product Discontinuation and recommended replacement]

Product discontinuation	Recommended replacement
E2E-X5Y1-53 2M	E2E-X5Y1-US 2M
E2E-X5Y1-53 5M	E2E-X5Y1-US 5M
E2E-X5Y1-53US 2M	E2E-X5Y1-US 2M
E2E-X5Y1-53US 5M	E2E-X5Y1-US 5M
E2E-X5Y2-53 2M	E2E-X5Y2-US 2M
E2E-X5Y2-53 5M	E2E-X5Y2-US 5M
E2E-X5Y2-53US 2M	E2E-X5Y2-US 2M
E2E-X5Y2-53US 5M	E2E-X5Y2-US 5M
E2E-X10MY1-53 2M	E2E-X10MY1-US 2M
E2E-X10MY1-53 5M	E2E-X10MY1-US 5M
E2E-X10MY1-53US 2M	E2E-X10MY1-US 2M
E2E-X10MY2-53 2M	E2E-X10MY2-US 2M
E2E-X10MY2-53 5M	E2E-X10MY2-US 5M
E2E-X10MY2-53US 2M	E2E-X10MY2-US 2M
E2E-X10MY2-53US 5M	E2E-X10MY2-US 5M
E2E-X10Y1-53 2M	E2E-X10Y1-US 2M
E2E-X10Y1-53 5M	E2E-X10Y1-US 5M
E2E-X10Y1-53US 2M	E2E-X10Y1-US 2M
E2E-X10Y1-53US 5M	E2E-X10Y1-US 5M
E2E-X10Y2-53 2M	E2E-X10Y2-US 2M
E2E-X10Y2-53 5M	E2E-X10Y2-US 5M
E2E-X10Y2-53US 2M	E2E-X10Y2-US 2M
E2E-X10Y2-53US 5M	E2E-X10Y2-US 5M
E2E-X18MY1-53 2M	E2E-X18MY1-US 2M
E2E-X18MY1-53 5M	E2E-X18MY1-US 5M
E2E-X18MY1-53US 2M	E2E-X18MY1-US 2M
E2E-X18MY1-53US 5M	E2E-X18MY1-US 5M
E2E-X18MY2-53 2M	E2E-X18MY2-US 2M
E2E-X18MY2-53 5M	E2E-X18MY2-US 5M
E2E-X18MY2-53US 2M	E2E-X18MY2-US 2M
E2E-X18MY2-53US 5M	E2E-X18MY2-US 5M

[Body color]

Product discontinuation	Recommendable replacement
<p>E2E-X□(M)Y□-53 series E2E-X□(M)Y□-53(US) series</p> <p>Color: Silver Materials Case; Brass, Nickel plated Sensing face; ABS resin Cord; Polyvinyl chloride insulation round cord outline diameter</p>	<p>E2E-X□(M)Y□-US series</p> <p>Color: Silver Materials Case; Brass, Nickel plated Sensing face; PBT resin Cord; Polyvinyl chloride insulation round cord outline diameter</p>

[Wire connection]

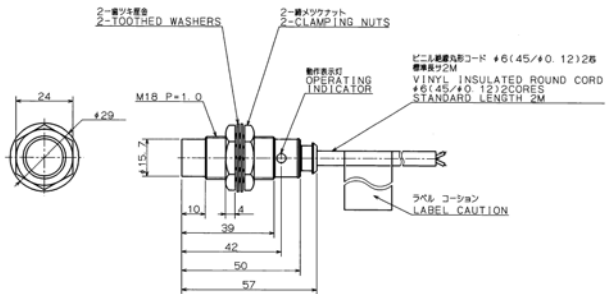
Product discontinuation	Recommendable replacement
<p>E2E-X□(M)Y□-53 series E2E-X□(M)Y□-53US series</p>  <p>Brown (White) Blue (Black)</p>  <p>Brown (White) Blue (Black)</p>	<p>E2E-X□(M)Y□-US series</p>  <p>MAIN CIRCUIT</p> <p>LOAD</p> <p>BROWN</p> <p>BLUE</p> <p>Note : Connect the load in one of the following ways.</p>  <p>BROWN</p> <p>BLUE</p>

[Dimensions]

Product discontinuation	Recommendable replacement
<p>E2E-X5Y1-53 E2E-X5Y2-53</p> <p>2-歯ワッシャー 2-TOOTHED WASHERS</p> <p>2-歯メツクナツト 2-CLAMPING NUTS</p> <p>動作表示灯 OPERATING INDICATOR</p> <p>ビニル絶縁丸形コード #6(45/φ0.12)2C 標準長さ 2M VINYL INSULATED ROUND CORD #6(45/φ0.12) 2CORES STANDARD LENGTH 2M</p> <p>ラベル コーション LABEL CAUTION</p> <p>M18 P=1.0</p> <p>24</p> <p>φ29</p> <p>4</p> <p>39</p> <p>42</p> <p>50</p> <p>57</p>	<p>E2E-X5Y1-US E2E-X5Y2-US</p> <p>動作表示灯 OPERATING INDICATOR</p> <p>2-歯メツクナツト 2-CLAMPING NUTS</p> <p>歯ワッシャー TOOTHED WASHER</p> <p>ラベル LABEL</p> <p>ビニル絶縁丸形コード #6(52/φ0.12)2C 標準長さ 2M VINYL INSULATED ROUND CORD #6(52/φ0.12) 2CORES STANDARD LENGTH 2M</p> <p>M18x1</p> <p>24</p> <p>φ29</p> <p>38</p> <p>43</p> <p>10</p> <p>25</p>
<p>E2E-X5Y1-53US E2E-X5Y2-53US</p> <p>2-NUTS, TOOTHED LOCK WASHERS</p> <p>OPERATION INDICATOR</p> <p>PVC INSULATED CORD #6 (45/φ0.16 2CORE) STANDARD LENGTH 2M</p> <p>CAUTION LABEL (UL/CSA MARK)</p> <p>M18 P=1.0</p> <p>24</p> <p>φ29</p> <p>4</p> <p>39</p> <p>50</p> <p>57</p>	
<p>E2E-X10Y1-53 E2E-X10Y2-53</p> <p>2-歯メツクナツト 2-CLAMPING NUTS</p> <p>2-歯ワッシャー 2-TOOTHED WASHERS</p> <p>動作表示灯 OPERATING INDICATOR</p> <p>ビニル絶縁丸形コード #6(45/φ0.12)2C 標準長さ 2M VINYL INSULATED ROUND CORD #6(45/φ0.12) 2CORES STANDARD LENGTH 2M</p> <p>コーション 3M CAUTION LABEL</p> <p>M30 P=1.5</p> <p>38</p> <p>φ38</p> <p>50</p> <p>57</p>	<p>E2E-X10Y1-US E2E-X10Y2-US</p> <p>動作表示灯 OPERATING INDICATOR</p> <p>2-歯メツクナツト 2-CLAMPING NUTS</p> <p>歯ワッシャー TOOTHED WASHER</p> <p>ラベル LABEL</p> <p>ビニル絶縁丸形コード #6(52/φ0.12)2C 標準長さ 2M VINYL INSULATED ROUND CORD #6(52/φ0.12) 2CORES STANDARD LENGTH 2M</p> <p>M30x1.5</p> <p>38</p> <p>φ38</p> <p>48</p> <p>43</p> <p>10</p> <p>25</p>
<p>E2E-X10Y1-53US E2E-X10Y2-53US</p> <p>2-NUTS, TOOTHED LOCK WASHERS</p> <p>OPERATION INDICATOR</p> <p>PVC INSULATED CORD #6 (45/φ0.16 2CORE) STANDARD LENGTH 2M</p> <p>CAUTION LABEL (UL/CSA MARK)</p> <p>M30 P=1.5</p> <p>38</p> <p>φ38</p> <p>50</p> <p>57</p>	

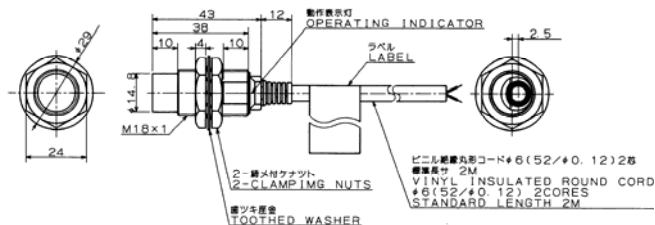
Product discontinuation

E2E-X10MY1-53
E2E-X10MY2-53

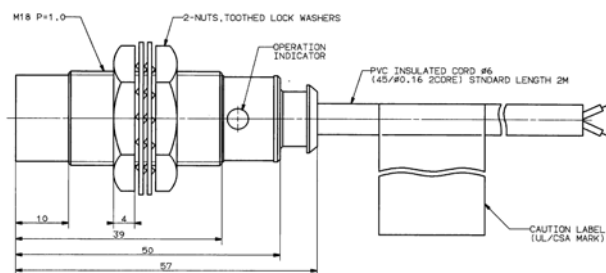


Recommendable replacement

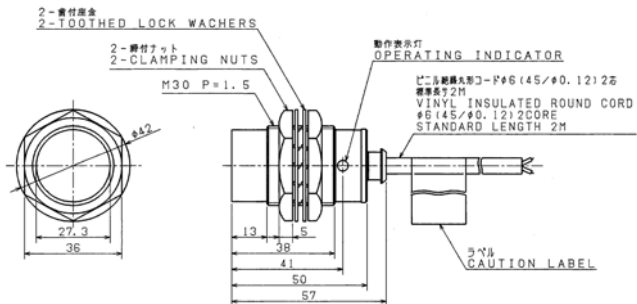
E2E-X10MY1-US
E2E-X10MY2-US



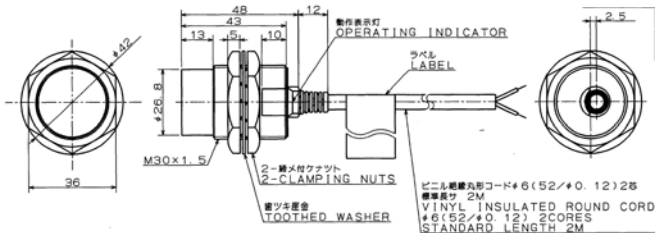
E2E-X10MY1-53US
E2E-X10MY2-53US



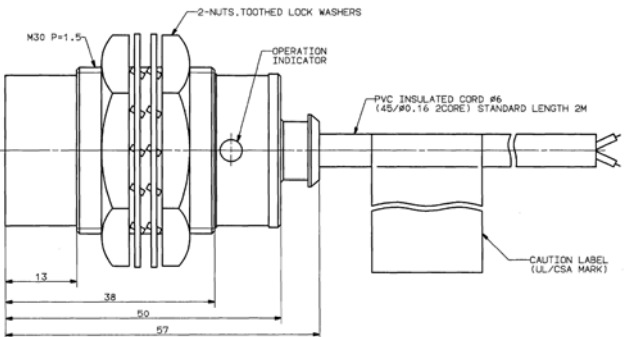
E2E-X18MY1-53
E2E-X18MY2-53



E2E-X18MY1-US
E2E-X18MY2-US



E2E-X18MY1-53US
E2E-X18MY2-53US



[Characteristics]

Item	Product discontinuation	Recommendable replacement
	Model E2E-X5Y[]-53 Model E2E-X5Y[]-53US Model E2E-X10(M)Y[]-53 Model E2E-X10(M)Y[]-53US Model E2E-X18MY[]-53 Model E2E-X18MY[]-53US	Model E2E-X[(M)Y[]-US series
Sensing distance	X5; 5 mm X10; 10 mm X18; 18 mm	
Setting distance	X5; 0 to 4 mm X10; 0 to 8 mm X18; 0 to 14 mm	
Differential distance	10% max.	
Sensing object	Ferrous metals	
Standard sensing object	X5; 18 × 18 × 1 mm X10; 30 × 30 × 1 mm X18; 54 × 54 × 1 mm	
Response frequency	25 Hz	
Power supply voltage	±10% max. 100 to 120 VAC (50/60 Hz)	24 to 240 VAC 50/60 Hz (20 to 264 VAC)
Leakage current	1.5 mA max.	1.7 mA max.
Control output	5 to 300 mA	-40°C to +70°C; 5 to 300 mA +70°C to +85°C; 5 to 200 mA
Indicator lamp	Operating indicator (Red)	
Operating status	Y1 type; NO Y2 type; NC	
Protective circuits	Load short-circuit protection, surge absorber	Surge absorber
Ambient temperature	Operating, Storage: -25°C to +70°C (with no icing or condensation)	Operating, Storage: -40°C to +85°C (with no icing or condensation)
Temperature influence	±10% max. of sensing distance at 23°C in temperature range of -25°C to 70°C	-25°C to +70°C; ±10% max. at 23°C -40°C to +85°C; ±15% max. at 23°C
Voltage influence	±1% max. of sensing distance in rated voltage range ±10%	±1% max. of sensing distance in rated voltage range ±15%
Insulation resistance	50 MΩ min. (500 VDC) between current carrying part and case	
Dielectric strength	4,000 VAC 50/60 Hz for 1 min between current carrying part and case	
Vibration resistance	10 to 55 Hz, 1.5-mm double amplitude for 2 hours each in X, Y, and Z directions	
Shock resistance	Destruction; 1,000 m/s ² for 10 times each in X, Y, and Z directions	
Degree of protection	IEC60529 IP67	
Materials	Case; Brass, Nickel plated Sensing face; ABS resin	Case; Brass, Nickel plated Sensing face; PBT resin

Specifications and prices in this product news are as of the issue date and are subject to change without notice. Only main changes in specifications are described in this document. Please be sure to read the relevant catalogs, datasheets, product specifications, instructions, and manuals for precautions and necessary information when using products.