

Product Discontinuation Notices

Frequency Inverters

April 1, 2010

No. 2010118E

Discontinuation Notice of SYSDRIVE Inverter 3G3MV series

REQUEST

There was modification in portion of product discontinuation notices of Product News No. 2010118E of 2010 April issue.

What we have changed is as follows; the ambient temperature for ratings.
Please abolish old edition, replace the latest No. 2010118E.

Product Discontinuation
Multi-function Compact Inverter

Recommended Replacement
Multi-function Compact Inverter



3G3MV-A[]

3G3MX2-A[]

Discontinuation date : The end of March, 2011

Caution on recommended replacement

Option Product will be also a production Discontinuation.
3G3MX2 400V 400W will be an alternate product in 3G3MV 400V 200W.
3G3MX2 400V 4.0kW will be an alternate product in 3G3MV 400V 3.7kW.

Difference from discontinued product

Model	Body Color	Dimensions	Wire connection	Mounting Dimensions	Characteristics	Operation ratings	Operation methods
3G3MX2-A[]	--	**	**	**	**	**	**

** : Fully compatible

* : The change is a little/Almost compatible

-- : Not compatible

- : No corresponding specification

Product Discontinuation and recommended replacement

Product discontinuation	Recommended replacement
3G3MV-A2001	3G3MX2-A2001
3G3MV-A2001-RS	3G3MX2-A2001
3G3MV-A2002	3G3MX2-A2002
3G3MV-A2002-RS	3G3MX2-A2002
3G3MV-A2004	3G3MX2-A2004
3G3MV-A2004-RS	3G3MX2-A2004
3G3MV-A2007	3G3MX2-A2007
3G3MV-A2007-R2	3G3MX2-A2007
3G3MV-A2007-RS	3G3MX2-A2007
3G3MV-A2015	3G3MX2-A2015
3G3MV-A2015-RS	3G3MX2-A2015
3G3MV-A2022	3G3MX2-A2022
3G3MV-A2022-RS	3G3MX2-A2022
3G3MV-A2037	3G3MX2-A2037
3G3MV-A2037-RS	3G3MX2-A2037
3G3MV-A2055	3G3MX2-A2055
3G3MV-A2055-RS	3G3MX2-A2055
3G3MV-A2075	3G3MX2-A2075
3G3MV-A2075-RS	3G3MX2-A2075
3G3MV-A4002	3G3MX2-A4004
3G3MV-A4002-RS	3G3MX2-A4004
3G3MV-A4004	3G3MX2-A4004
3G3MV-A4004-RS	3G3MX2-A4004
3G3MV-A4007	3G3MX2-A4007
3G3MV-A4007-R2	3G3MX2-A4007
3G3MV-A4007-RS	3G3MX2-A4007
3G3MV-A4015	3G3MX2-A4015
3G3MV-A4015-RS	3G3MX2-A4015
3G3MV-A4022	3G3MX2-A4022
3G3MV-A4022-RS	3G3MX2-A4022
3G3MV-A4037	3G3MX2-A4040
3G3MV-A4037-RS	3G3MX2-A4040
3G3MV-A4055	3G3MX2-A4055
3G3MV-A4055-RS	3G3MX2-A4055
3G3MV-A4075	3G3MX2-A4075
3G3MV-A4075-RS	3G3MX2-A4075
3G3MV-AB001	3G3MX2-AB001

Product Discontinuation and recommended replacement

Product discontinuation	Recommended replacement
3G3MV-AB001-RS	3G3MX2-AB001
3G3MV-AB002	3G3MX2-AB002
3G3MV-AB002-R1	3G3MX2-AB002
3G3MV-AB002-RS	3G3MX2-AB002
3G3MV-AB004	3G3MX2-AB004
3G3MV-AB004-RS	3G3MX2-AB004
3G3MV-AB007	3G3MX2-AB007
3G3MV-AB007-RS	3G3MX2-AB007
3G3MV-AB015	3G3MX2-AB015
3G3MV-AB015-RS	3G3MX2-AB015
3G3MV-AB022	3G3MX2-AB022
3G3MV-AB022-RS	3G3MX2-AB022
3G3MV-AB037	-
3G3MV-AB037-RS	-
3G3MV-PRS1010V	Made by the Schaffner company EMC-compatible Noise Filter (FS248□ Type)
3G3MV-PRS1020V	
3G3MV-PRS1030V	
3G3MV-PRS1040V	
3G3MV-PRS2010V	
3G3MV-PRS2020V	
3G3MV-PRS2030V	
3G3MV-PRS2050V	
3G3MV-PRS3005V	
3G3MV-PRS3010V	
3G3MV-PRS3020V	
3G3MV-PRS3030V	

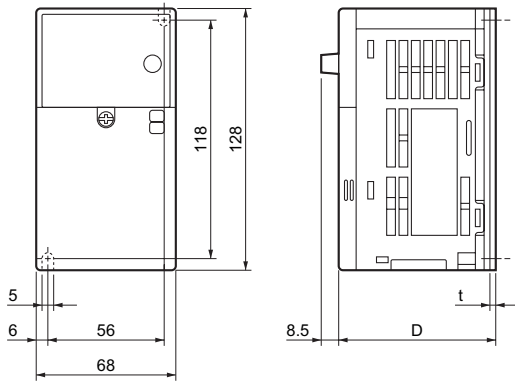
Body color

Product discontinuation 3G3MV Series	Recommendable replacement 3G3MX2 Series
Ivory	Black

Dimensions

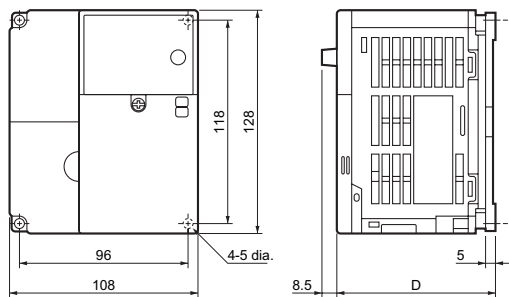
Product discontinuation 3G3MV Series

3G3MV-A2001 to -A2007 (0.1 to 0.75kW)
3G3MV-AB001 to -AB004 (0.1 to 0.4kW)



Rated voltage	Model 3G3MV-	Dimensions (mm)	
		D	t
3-phase 200 V AC	A2001	76	3
	A2002	76	3
	A2004	108	5
	A2007	128	5
Single-phase 200 V AC	AB001	76	3
	AB002	76	3
	AB004	131	5

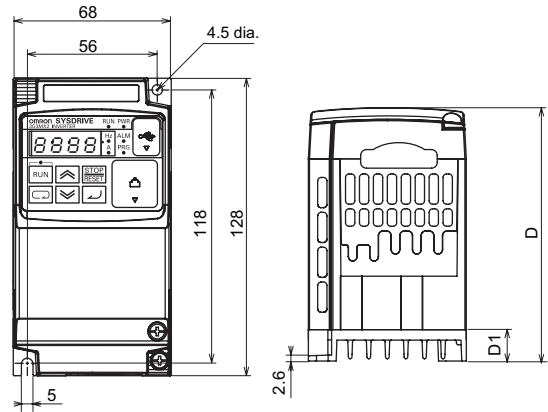
3G3MV-A2015 to -A2022 (1.5 to 2.2kW)
3G3MV-AB007 to -AB015 (0.75 to 1.5kW)
3G3MV-A4002 to -A4022 (0.2 to 2.2kW)



Rated voltage	Model 3G3MV-	Dimensions (mm)
		D
3-phase 200 V AC	A2015	131
	A2022	140
Single-phase 200 V AC	AB007	140
	AB015	156
3-phase 400 V AC	A4002	92
	A4004	110
	A4007	140
	A4015	156
	A4022	156

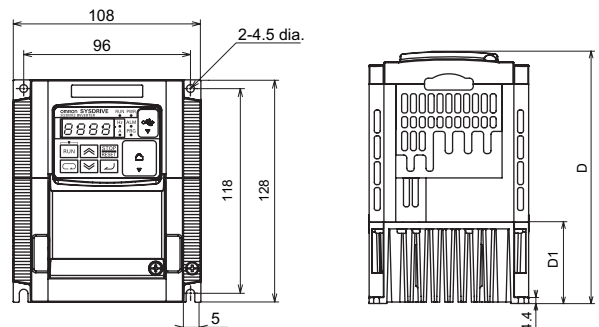
Recommendable replacement 3G3MX2 Series

3G3MX2-A2001 to -A2007 (0.1 to 0.75kW)
3G3MX2-AB001 to -AB004 (0.1 to 0.4kW)



Power supply	Model	W [mm]	H [mm]	D [mm]	D1 [mm]
1-phase 200 V	3G3MX2-AB001	68	128	109	13.5
	3G3MX2-AB002			122.5	27
	3G3MX2-AB004				
3-phase 200 V	3G3MX2-A2001	68	128	109	13.5
	3G3MX2-A2002				
	3G3MX2-A2004			122.5	27
	3G3MX2-A2007			145.5	50

3G3MX2-A2015 to -A2022 (1.5 to 2.2kW)
3G3MX2-AB007 to -AB022 (0.75 to 2.2kW)
3G3MX2-A4004 to -A4030 (0.4 to 3.0kW)

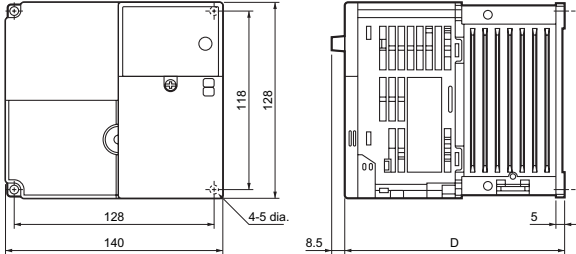


Power supply	Model	W [mm]	H [mm]	D [mm]	D1 [mm]
1-phase 200 V	3G3MX2-AB007	108	128	170.5	55
	3G3MX2-AB015				
	3G3MX2-AB022				
3-phase 200 V	3G3MX2-A2015	108	128	143.5	28
3G3MX2-A2022					
3-phase 400 V	3G3MX2-A4004	108	128	170.5	55
	3G3MX2-A4007				
	3G3MX2-A4015				
	3G3MX2-A4022				
	3G3MX2-A4030				

Dimensions

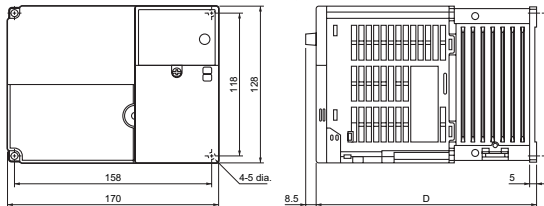
Product discontinuation 3G3MV Series

3G3MV-A2037 (3.7kW)
3G3MV-AB022 (2.2kW)
3G3MV-A4037 (3.7kW)



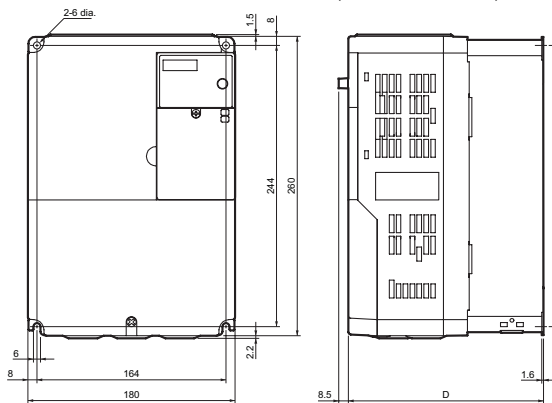
Rated voltage	Model 3G3MV-	Dimensions (mm)
		D
3-phase 200 V AC	A2037	143
Single-phase 200 V AC	AB022	163
3-phase 400 V AC	A4037	143

3G3MV-AB037 (3.7kW)



Rated voltage	Model 3G3MV-	Dimensions (mm)
		D
Single-phase 200 V AC	AB037	180

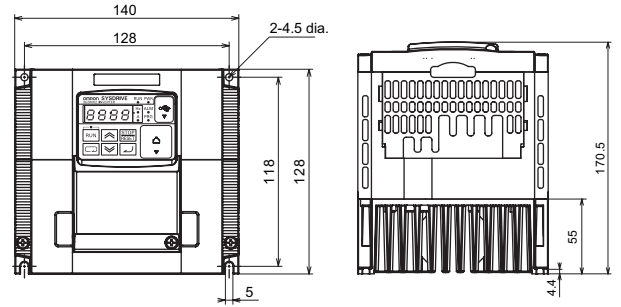
3G3MV-A2055 to -A2075 (5.5 to 7.5kW)
3G3MV-A4055 to -A4075 (5.5 to 7.5kW)



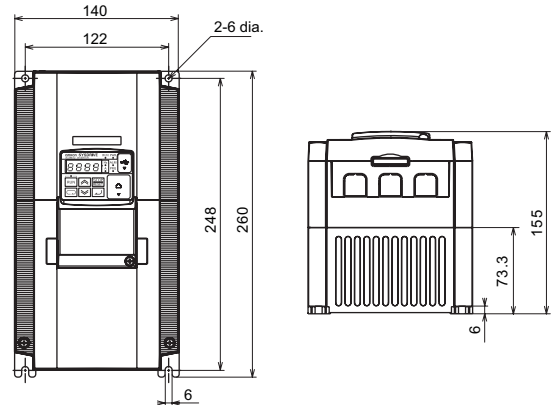
Rated voltage	Model 3G3MV-	Dimensions (mm)
		D
3-phase 200 V AC	A2055	170
3-phase 200 V AC	A2075	170
3-phase 400 V AC	A4055	170
3-phase 400 V AC	A4075	170

Recommendable replacement 3G3MX2 Series

3G3MX2-A2037 (3.7kW)
3G3MX2-A4040 (4.0kW)

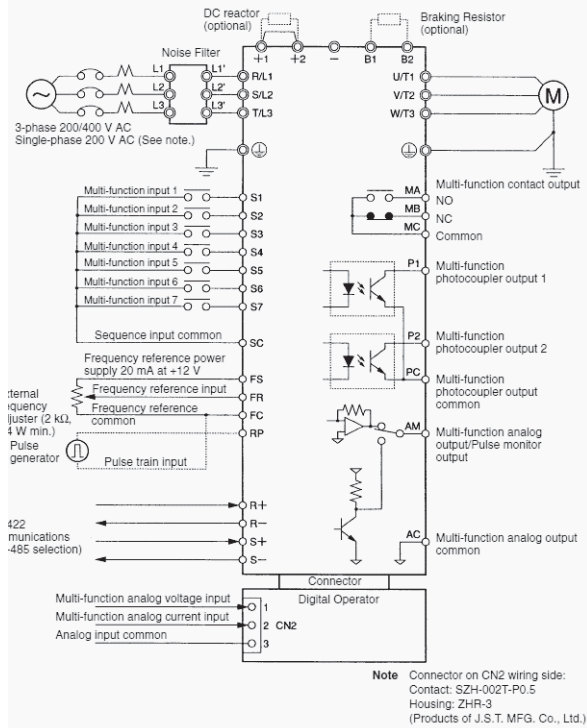


3G3MX2-A2055 to -A2075 (5.5 to 7.5kW)
3G3MX2-A4055 to -A4075 (5.5 to 7.5kW)

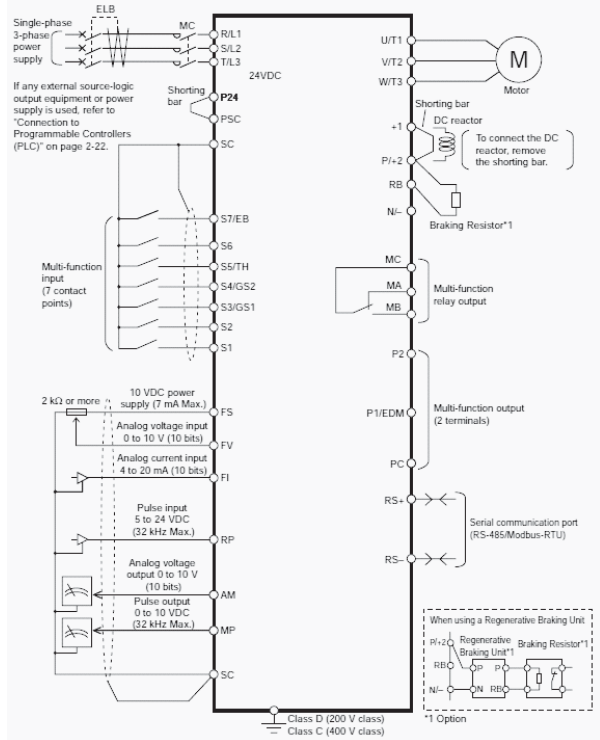


Wire Connection

Product discontinuation 3G3MV Series



Recommendable replacement 3G3MX2 Series

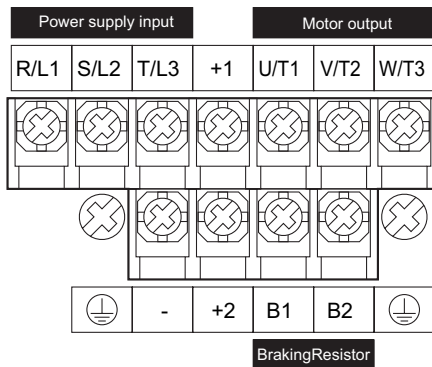


Mounting dimensions

Product discontinuation 3G3MV Series

Main Circuit Terminals

3G3MV-A2001 to -A2007(0.1 to 0.75kW)
3G3MV-AB001 to -AB004(0.1 to 0.4kW)

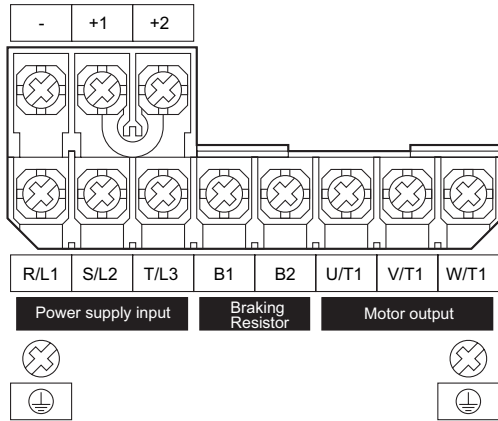


Mounting dimensions

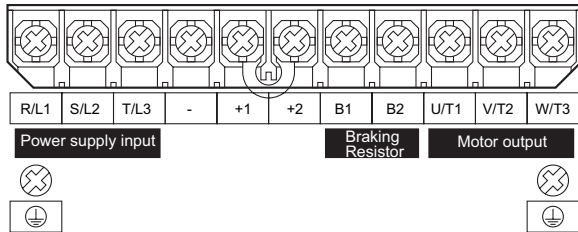
Product discontinuation 3G3MV Series

Main Circuit Terminals

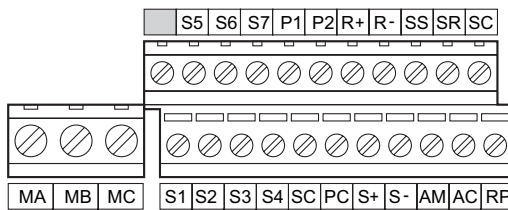
3G3MV-A2015 to -A2022(1.5 to 2.2kW)
 3G3MV-AB007 to -AB015(0.75 to 1.5kW)
 3G3MV-A4002 to -A4022(0.2 to 2.2kW)



3G3MV-A2037 to -A2075(3.7 to 7.5kW)
 3G3MV-AB022 to -AB037(2.2 to 3.7kW)
 3G3MV-A4037 to -A4075(3.7 to 7.5kW)

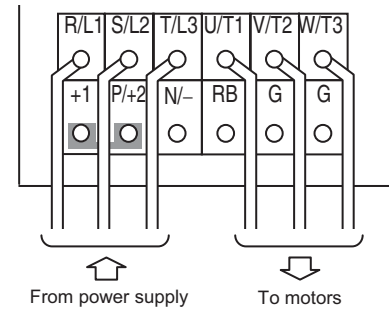


Control Circuit Terminals



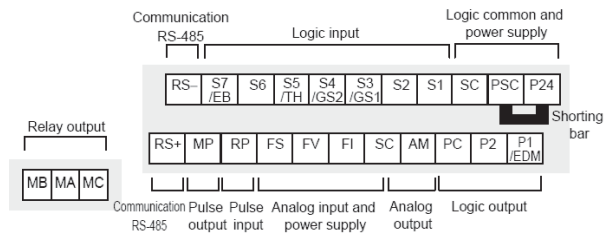
Recommendable replacement 3G3MX2 Series

3G3MX2-A2055 to -A2075(5.5 to 7.5kW)
 3G3MX2-A4055 to -A4075(5.5 to 7.5kW)



From power supply

To motors



Characteristics

Item	Product discontinuation 3G3MV Series	Recommendable replacement 3G3MX2 Series
Rated input voltage	3G3MV-A2[]: 3-phase AC200 to 230V 50/60Hz 3G3MV-AB[]: 1-phase AC200 to 240V 50/60Hz 3G3MV-A4[]: 3-phase AC380 to 460V 50/60Hz	3G3MX2-A2[]: 3-phase AC200 to 240V 50/60Hz 3G3MX2-AB[]: 1-phase AC200 to 240V 50/60Hz 3G3MX2-A4[]: 3-phase AC380 to 480V 50/60Hz
Allowable voltage fluctuation	-15 to +10 %	-15 to +10 %
Ambient temperature (Operating)	-10 to +50°C	-10 to +50°C
Ambient humidity (Operating)	95% RH max.(with no condensation)	20% to 90% RH(with no condensation)
Degree of protection	Panel-mounting models: Conforms to IP20	Semi-closed (IP20)
Weight	Refer to USER'S MANUAL (No.I527)	Refer to USER'S MANUAL (No.I570)

Operation ratings

Item	Product discontinuation 3G3MV Series	Recommendable replacement 3G3MX2 Series
Rated output current	Refer to USER'S MANUAL (No.I527)	Refer to USER'S MANUAL (No.I570)
Max. output frequency	400 Hz parameter setting	400 Hz parameter setting (or 1,000 Hz in the high-frequency mode; restrictions apply)
Carrier frequency	2.5 to 10 kHz	2 to 15 kHz
Braking torque	Approx. 20 % (125% to 150% possible with braking resistor)	Refer to USER'S MANUAL (No.I570)
Acceleration /deceleration time	0.0 to 6000 s	0.01 to 3600 s
Overload protection	Stops in 1 min at approximately 150% of rated output current	Heavy load rating (CT): 150%/60 s Light load rating (VT) : 120%/60 s
Frequency Control range	0.1 to 400 Hz	0.1 to 400 Hz (or 1,000 Hz in the high-frequency mode; restrictions apply)
Frequency precision (temperature characteristics)	Digital commands: ±0.01% (-10°C to 50°C) Analog commands: ±0.5% (25°C ± 10°C)	Digital command: ±0.01% of the max. frequency (25°C ± 10°C) Analog command: ±0.2% of the max. frequency (25°C ± 10°C)
Frequency Setting resolution	Digital commands: 0.01 Hz (less than 100 Hz) and 0.1 Hz (100Hz or over) Analog commands: 0.06 Hz/60 Hz (equivalent to 1/1000)	Digital setting: 0.01 Hz Analog setting: Max. frequency/1000

Function methods

Item	Product discontinuation 3G3MV Series	Recommendable replacement 3G3MX2 Series
Parameter copy	○	× (CX-DRIVE used)
DC injection braking	○	○
Torque boost	○	○
Over torque monitored	○	○
Constant speed arrival signal	○	○
PID Function	×	○
Acceleration/deceleration time	○ (2 pattern)	○ (5 pattern)
S-shape characteristics	○	○
Multi-step speed reference	○ (16 settings)	○ (16 settings)
Sensorless vector control	○ (Without Auto-Tuning Function)	○ (With Auto-Tuning Function)

Operation methods

Product discontinuation 3G3MV Series	Recommendable replacement 3G3MX2 Series
It's operated by a digital operator. (LCD type, and with FREQUENCY adjuster)	It's operated by a digital operator. (LCD type, and without FREQUENCY adjuster)