

Discontinuation Notice of Digital Display M7F Series.

Product Discontinuation

Digital Display



Model M7F Series



Recommended Replacement

No recommended replacement

[Discontinuation date]


The end of March, 2016

[Product Discontinuation and recommended replacement]

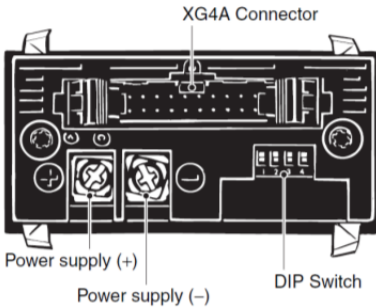
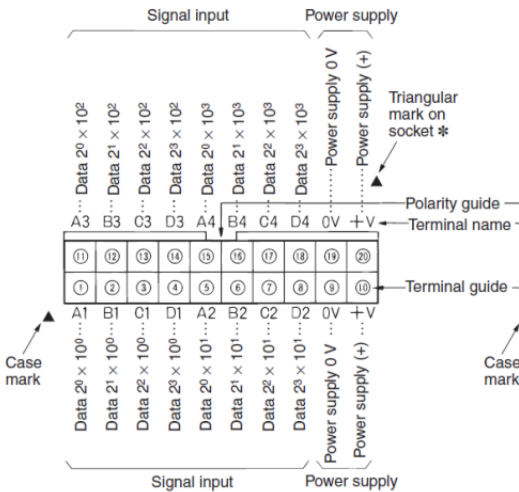
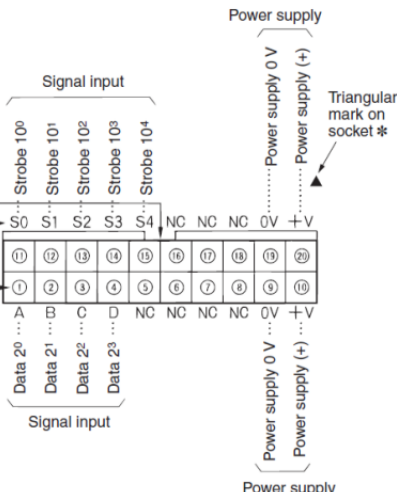
Product discontinuation	Recommendable replacement
M7F-1	No recommended replacement
M7F-3N1GF	
M7F-3N1GT	
M7F-3N1GT-KAI	
M7F-3N1GT-MM	
M7F-3N1RF	
M7F-3N1RT	
M7F-3N1RT-DAI	
M7F-3N1RT-DOC	
M7F-3N1RT-G	
M7F-3N1RT-KG	
M7F-3N1RT-KO	
M7F-3N1RT-M	
M7F-3N1RT-MM	
M7F-3N1RT-PCS	
M7F-3N1RT-PER	
M7F-3N1RT-RPM	
M7F-3N1RT-SEC	
M7F-3P1GF	
M7F-3P1GT	
M7F-3P1RF	
M7F-3P1RT	
M7F-3P1RT-KG	
M7F-3P1RT-MM	
M7F-3P1RT-PER	
M7F-3P1RT-RPM	
M7F-4D1G	
M7F-4D1GF	
M7F-4D1GT	
M7F-4D1GT-MM	

Product discontinuation	Recommendable replacement
M7F-4D1R	No recommended replacement
M7F-4D1RF	
M7F-4D1RT	
M7F-4D1RT-CM	
M7F-4D1RT-DOC	
M7F-4D1RT-MM	
M7F-4D1RT-PER	
M7F-4D1RT-RPM	
M7F-4N1G	
M7F-4N1GF	
M7F-4N1GT	
M7F-4N1GT-MM	
M7F-4N1GT-PCS	
M7F-4N1R	
M7F-4N1RF	
M7F-4N1RT	
M7F-4N1RT-DOC	
M7F-4N1RT-KO	
M7F-4N1RT-M	
M7F-4N1RT-MM	
M7F-4N1RT-RPM	
M7F-4P1G	
M7F-4P1GF	
M7F-4P1GT	
M7F-4P1GT-M	
M7F-4P1R	
M7F-4P1RF	
M7F-4P1RT	
M7F-4P1RT-KG	
M7F-4P1RT-MM	
M7F-5D1G	
M7F-5D1R	
M7F-CM-1	
M7F-DAI-1	
M7F-DOC-1	
M7F-G-1	
M7F-H-1	
M7F-KAI-1	
M7F-KG-1	
M7F-KO-1	
M7F-M-1	
M7F-MIN-1	
M7F-MM-1	
M7F-PCS-1	
M7F-PER-1	
M7F-RPM-1	
M7F-SEC-1	

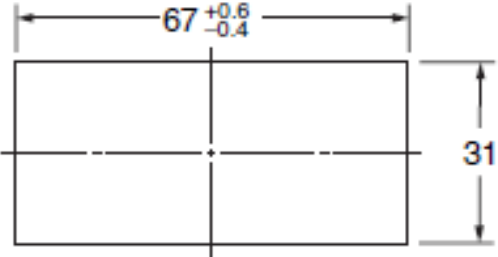
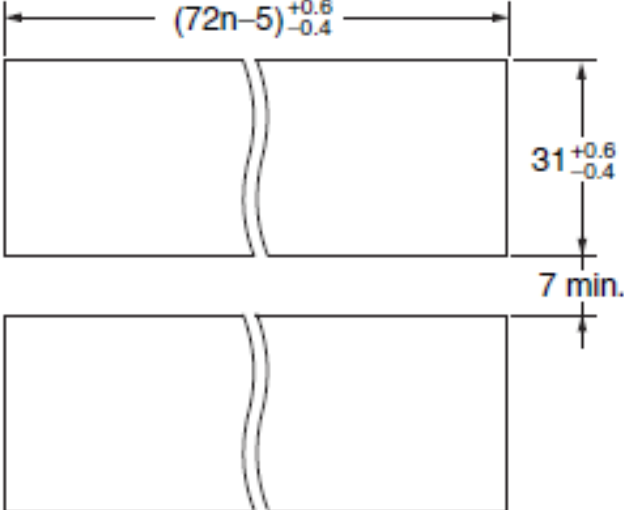
[Body color]

Product discontinuation Model M7F Series	Recommendable replacement No recommended replacement
Black 	---

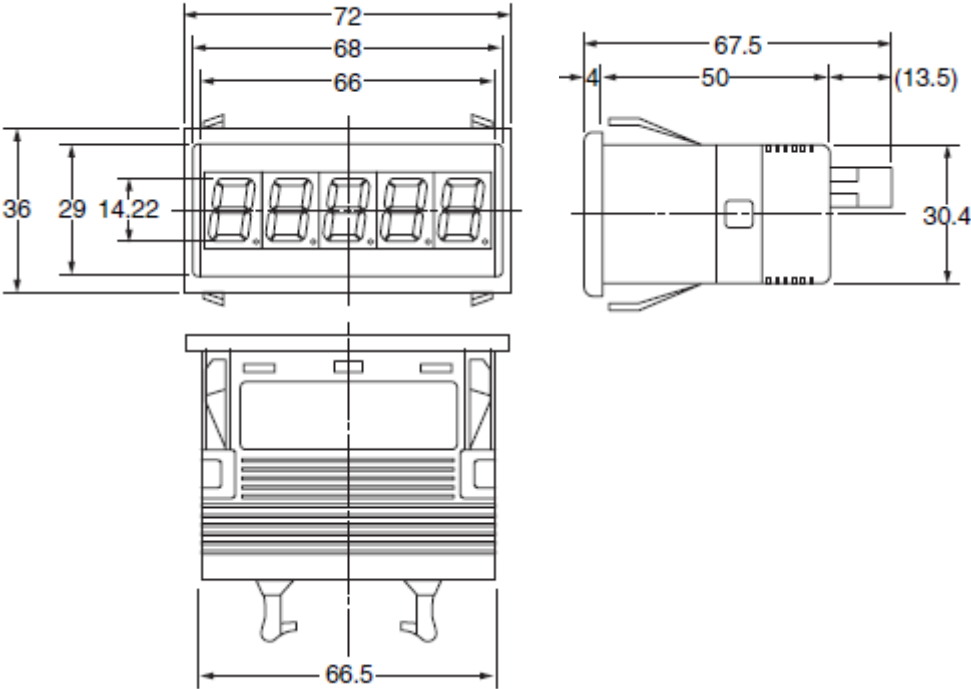
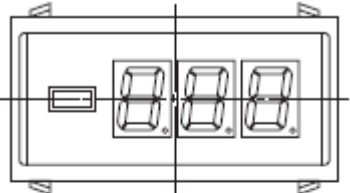
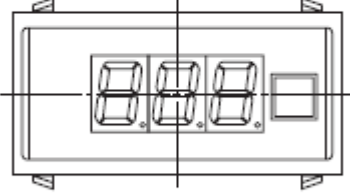
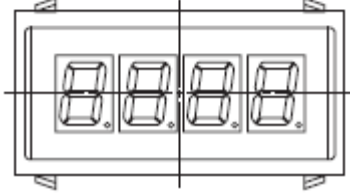
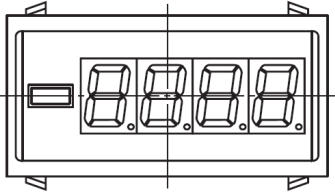
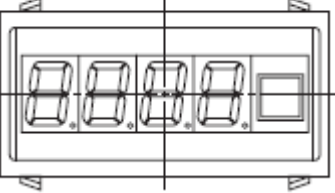
[Wire connection]

Product discontinuation Model M7F Series	Recommendable replacement No recommended replacement
<p style="text-align: center;">Terminal Arrangement</p>  <p style="text-align: center;">XG4A Connector</p> <p>Static Input Model</p>  <p>Dynamic Input Model</p>  <p>Note:</p> <ol style="list-style-type: none"> 1. Circled numbers are for the user's convenience. When preparing a socket, pay attention when wiring the terminals to the direction of the polarity guide. 2. The triangular mark (▲) on the M7F case indicates the start of the M7F terminal numbers. It does not line up with the triangular mark (▲) on the connector. Incorrect wiring may cause a short-circuit in the sequence output section, which could damage it. <p>* This is the location of the triangular mark on the XG4M-2030 Socket that is attached to the Cable.</p>	---

[Mounting dimensions]

<p>Product discontinuation Model M7F Series</p>	<p>Recommendable replacement No recommended replacement</p>
<p style="text-align: center;">Panel Cutout (Single Mounting)</p>  <p style="text-align: center;">(Side-by-side Mounting)</p>  <p>Panel thickness: 1 to 6 mm n: Number of Units mounted</p>	<p style="text-align: center;">---</p>

[Dimensions]

<p align="center">Product discontinuation Model M7F Series</p>	<p align="center">Recommendable replacement No recommended replacement</p>
<p align="center">M7F-5D1□</p>  <p>M7F-3□1□F</p>  <p>M7F-3□1□T</p>  <p>M7F-4□1□</p>  <p>M7F-4□1□F</p>  <p>M7F-4□1□T</p> 	<p align="center">---</p>

[Characteristics]

Item			Product discontinuation Model M7F Series	Recommendable replacement No recommended replacement
Rated power supply			12 to 24 VDC	
Allowable voltage fluctuation range			90% to 110% of rated voltage	
Current consumption			200 mA max. (at 12 VDC)	
			100 mA max. (at 24 VDC)	
Input level	Static input	Positive	High: 9.6 V to power supply voltage Low: 0 to 3 V	
		Negative	High: 4 V to power supply voltage Low: 0 to 1.5 V	
	Dynamic input	Positive (See note.)	High: 4 V to power supply voltage Low: 0 to 1.5 V	
Ambient temperature			Operating: -10 to 55°C (with no icing or condensation) Storage: -25 to 65°C (with no icing or condensation)	
Ambient humidity			Operating: 35% to 85% (with no icing or condensation)	
Insulation resistance			100 MΩ min. (at 500 VDC) between each terminal and mounting panel	
Dielectric strength			1,000 VAC, 50/60 Hz for 1 min between each terminal and mounting panel	
Noise immunity			Power terminal: ±500 V (normal mode) ±1,500 V (common mode) I/O cable: ±800 V (when the specified cable is used)	
Vibration resistance			Destruction: 10 to 55 Hz, 1.5-mm double amplitude 10 sweeps of 5 min each in X, Y, and Z directions	
Shock resistance			Malfunction: 300 m/s ² 3 times each in 6 directions on X, Y, and Z axes	
Degree of protection			IEC IP40 (front panel only)	

Note: The output of the connection device is an NPN open collector.

The data signal, however, is positive logic and the strobe signal is negative logic.

[Operation methods]

<p>Product discontinuation Model M7F Series</p>	<p>Recommendable replacement No recommended replacement</p>
---	--

Unit Display

The displays are lit when voltage is supplied to the power supply terminals (positive and negative terminals).

Minus Symbol and Decimal Point

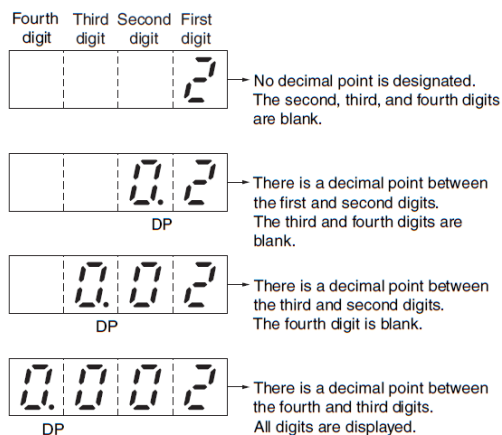
The DIP switch is used for minus symbol and decimal point settings as shown in the following table.

Display contents	Model	DIP switch function
Three digits Numerals and minus symbol	M7F-3□□□F	
Three digits Numerals and unit	M7F-3□□□T	
Four digits Numerals only	M7F-4□□□	
Four digits Numerals and minus symbol	M7F-4□□□F	
Four digits Numerals and unit	M7F-4□□□T	
Five digits Numerals only	M7F-5□□□	

- Note:**
- The minus symbol and decimal point are always lit when the corresponding pins of the DIP switch are set to ON.
 - "NC" means "not connected".

Zero Suppression Function

The Unit has a function for blanking (i.e., turning OFF the display) to not display 0 when the leftmost digits are zero. When DP (decimal point) has been displayed using the DIP switch, the digits to the left of the decimal point display digit will be blank as shown in the following figure.



Note: The zero suppression function is normally operating.

Specifications and prices in this product news are as of the issue date and are subject to change without notice. Only main changes in specifications are described in this document. Please be sure to read the relevant catalogs, datasheets, product specifications, instructions, and manuals for precautions and necessary information when using products.