

MITSUBISHI

TRANSISTORIZED INVERTER

Control Panel Rear Cover and Adapter Set <FR-E5P>

Thank you for purchasing the control panel rear cover and adapter set. This instruction manual describes handling and considerations for using this product. As errors in handling will cause unforeseen trouble, before using the product be sure to read this instruction manual thoroughly, so that the product may be used correctly.

Please ensure that this instruction manual is delivered to the end user of the product.

Safety precautions



Do not touch the inverter when the power is ON, during operation, and for some time after the power has been turned OFF, as the inverter will be very hot. Failure to observe this could lead to burns.



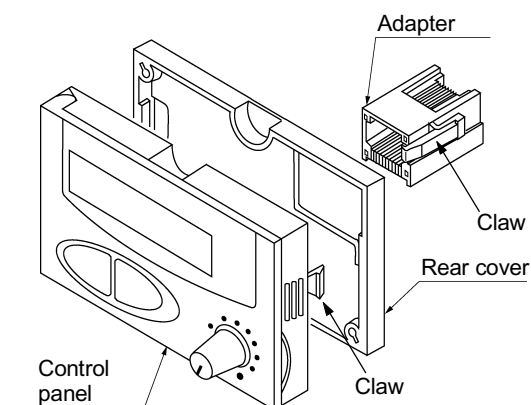
Do not drop the control panel rear cover and adapter set or subject it to a strong impact.

This control panel rear cover and adapter set is used when the control panel is removed from the inverter main unit and installed on the panel face of another storage panel.

1. Installation

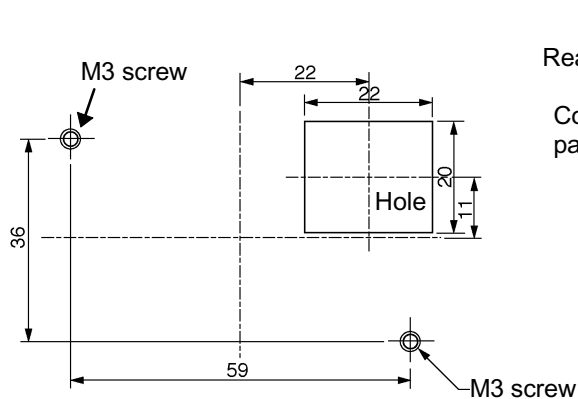
1.1 Installing and removing the control panel cover and adapter set

- (1) Fix by inserting the claws of the control panel into the control panel rear cover.
To remove, press in on the sides of the control panel to release the claws.
- (2) Insert the adapter into the control panel until a "click" is heard.
To remove, press in on the claws of the adapter and pull off.

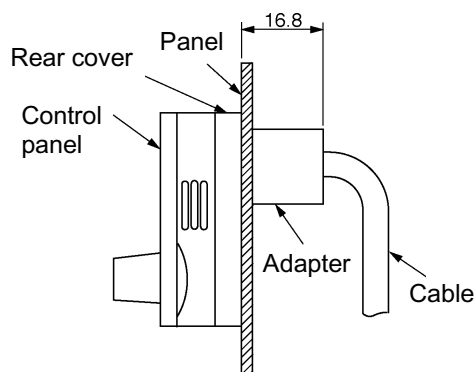


1.2 Installing the control panel unit on a single panel

Panel cut dimensions drawing

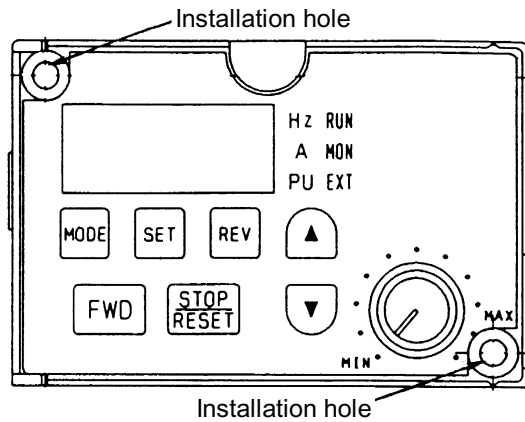


Front view



(Unit: mm)

Note) The installation holes of the control panel are blocked. Open by pressing with the installation screws when installing onto the panel face. Use installation screws with a head size of 5.5mm (outside diameter) × 2mm (height) or less. Do not insert washers.



2. Specifications

(1) Applicable inverter

FR-E₅₀₀ series

(2) Applicable control panel

FR-E₅₀₀ series control panel

(3) Working environment

Ambient temperature : - 10°C to 50°C (No freezing)

Ambient humidity : 90%RH or less (No dew condensation)

Storage temperature : - 20°C to +65°C

(Applicable temperature for short periods such as transportation)

Environment : Indoors (No corrosive gases, inflammable gases, oil mist, or dust)

Altitude and vibration : Less than 1000m above sea level, 5.9m/s² {0.6G} or less
(Conforms to JIS C 0911)

Model	FR-E5P EIBUN TORISETSU
Model code	1A2H38