

MITSUBISHI

General-Purpose AC Servo

MELSERVO

DYNAMIC BRAKE

DBU-□

Installation Guide D

Thank you for choosing this product. This guide is the installation guide for the dynamic brake (DBU-□). To ensure safety, always read through this guide and the installation guide (instruction manual) of the servo amplifier used before using this product. What is not written in this guide is described in the installation guide of the servo amplifier. Please forward this guide and other attached documents to the customer who will use this product. Also, always keep this guide and other documents.

1. INTRODUCTION

Handling information on the dynamic brake is given in the instruction manual or specifications and installation guide of the corresponding servo amplifier. Please read them carefully before using the dynamic brake.

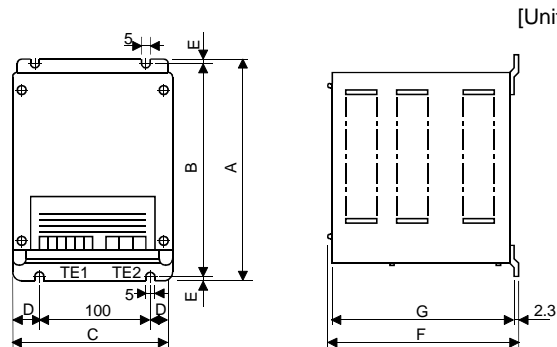
2. SPECIFICATIONS

The dynamic brake unit is short-time rated. Do not use it for high duty.

| | | | | | | | | | | | | | |
|-------------------------------|---|------|------|------|------|------|-----|-----|-----|-----|-------|-------|-------|
| Model DBU-□ | 500 | 1000 | 2000 | 3000 | 5000 | 7000 | 11K | 15K | 22K | 37K | 11K-4 | 22K-4 | 55K-4 |
| Operating ambient temperature | 0 to 55°C (non-freezing), storage -10 to 65°C | | | | | | | | | | | | |
| Operating atmosphere | No corrosive gases and dust | | | | | | | | | | | | |
| Vibration | 5.9m/s ² max. | | | | | | | | | | | | |

3. OUTLINE DIMENSIONAL DRAWINGS

DBU-500 to DBU-22K



Terminal block
TE1

| | | | | |
|---------|---|---|----|----|
| ⊕ | a | b | 13 | 14 |
| ⊖ (GND) | | | | |

Screw : M3.5
Tightening torque : 0.8[N · m]

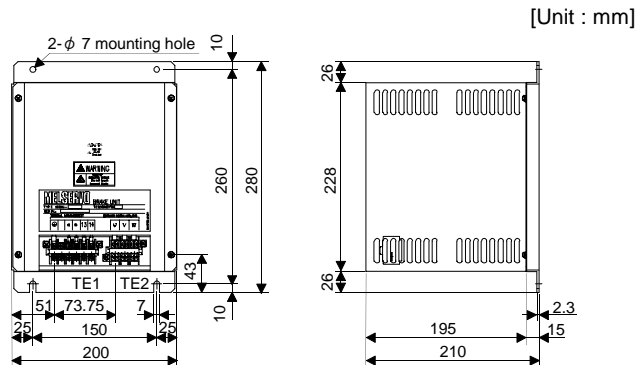
TE2

| | | |
|---|---|---|
| U | V | W |
|---|---|---|

Screw : M4
Tightening torque : 1.2[N · m]

| Model | A | B | C | D | E | F | G | Mass |
|-------------|-----|-----|-----|----|---|-----|-------|------|
| DBU-500to1K | 200 | 190 | 140 | 20 | 5 | 170 | 163.5 | 2kg |
| DBU-15K,22K | 250 | 238 | 150 | 25 | 6 | 235 | 228 | 6kg |

DBU-11K-4 · DBU-22K-4



Terminal block
TE1

| | | | | |
|---|---|---|----|----|
| ⊕ | a | b | 13 | 14 |
|---|---|---|----|----|

Screw : M3.5
Tightening torque : 0.8[N · m]

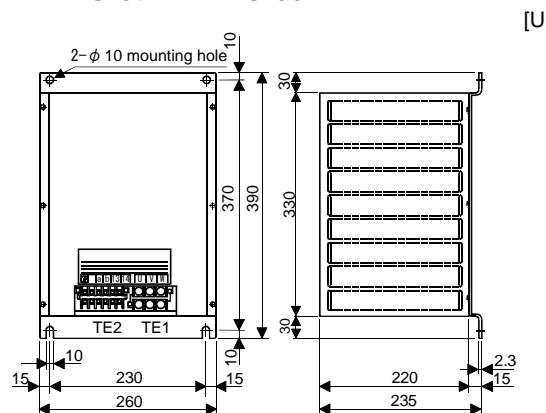
TE2

| | | |
|---|---|---|
| U | V | W |
|---|---|---|

Screw : M4
Tightening torque : 1.2[N · m]

Mass : 6.7[kg]

DBU-37K · DBU-55K-4



TE2

| | | | | |
|---|---|---|----|----|
| ⊕ | a | b | 13 | 14 |
|---|---|---|----|----|

Screw : M3.5
Tightening torque : 0.8[N · m]

TE1

| | | |
|---|---|---|
| U | V | W |
|---|---|---|

Screw : M5
Tightening torque : 2.0[N · m]

Mass : 8[kg]

MITSUBISHI ELECTRIC CORPORATION

HEAD OFFICE: MITSUBISHI DENKI BLDG MARUNOUCHI TOKYO 100-8310

This installation guide uses recycled paper.

Specifications are subject to change without notice.