

MODEL	Q6TE-18S-U-JE
MODEL CODE	13JT72
IB(NA)-0800204-B (0506)	

Spring Clamp Terminal Block Model Q6TE-18S User's Manual

1. Overview

This manual explains how to use the spring clamp terminal block model Q6TE-18S (hereinafter referred to as the Q6TE-18S).

The Q6TE-18S shall be used attached to a Q-Series terminal block-type I/O module or an intelligent function module. Since the Q6TE-18S uses a spring clamp it does not require screw-tightening, which greatly reduces the number of wiring procedures.

Be sure to carefully read QCPU User's Manual to ensure the safe and correct usage of this product before using it.

2. Compatible Models

The Q6TE-18S can be used with the following models:

Model type	Model name					
I/O module	QX10	QX28	QX40	QX40-S1	QX70	QX80
	QY10	QY18A	QY22	QY40P	QY50	QY68A
	QY70	QY80	QX48Y57	QI60		
Intelligent function module	Q62DA	Q64DA	Q68DAV	Q68DAI		
	Q64AD	Q68ADV	Q68ADI			
	Q64TCRT	Q64TCRTBW	Q64RD			

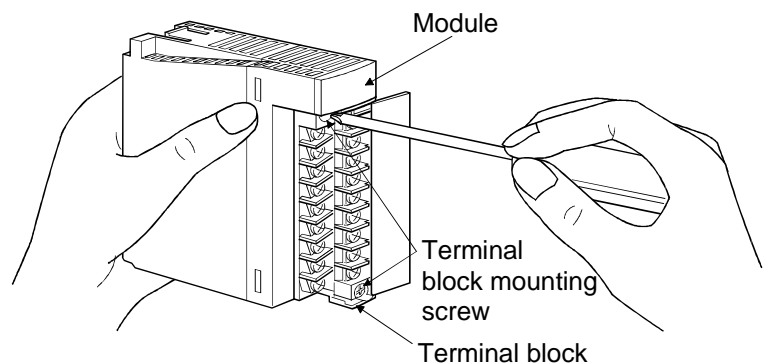
3. Specifications

Item	Specifications
Applicable wire size	0.3 to 1.5 mm ² (AWG22 to 16)
Wire strip length	8 to 11 mm
Mounting screw tightening torque range	0.66 to 0.89 N•m
Weight	0.07kg

4. Removal of Terminal Block and Installation of Q6TE-18S

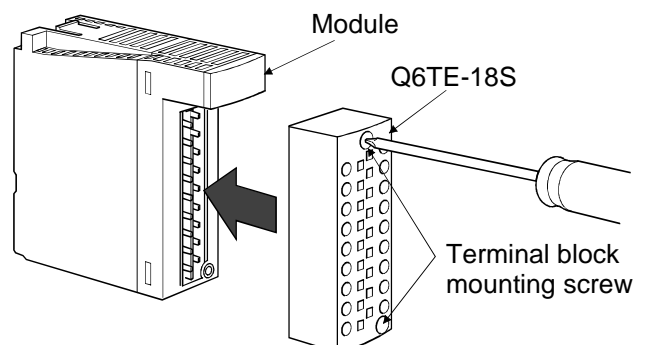
(1) Removal of terminal block

- Unscrew the two terminal block mounting screws situated at the top and bottom of the terminal block.
- Gently remove the terminal block.



(2) Installation of Q6TE-18S

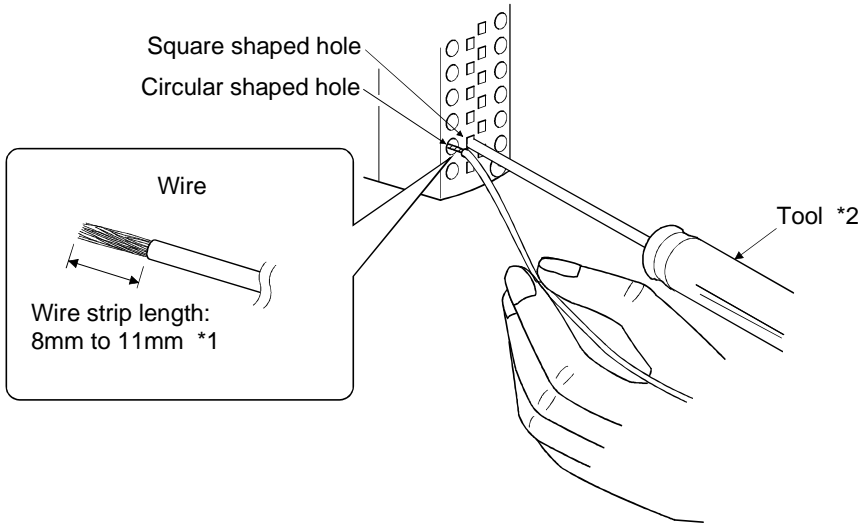
- Attach the Q6TE-18S to the module.
- Tighten the terminal block mounting screws within the specified torque range.



5. Cable Installation Procedure

(1) Cable Installation

Insert the tool into the square shaped hole, which corresponds to the terminal you wish to use.
While the tool is inside the hole, insert the wire into the circular shaped hole (as shown below).
Remove the tool from the square shaped hole, taking care not to remove the wire.
After the wire has been clamped, gently pull the wire to confirm that it is secure.



[Caution]

*1: Take care that the wire strip length is between 8mm to 11mm.

If the wire strip length is too long, this will expose the bare wire, which increases the risk of electric shock or short circuit. If the wire strip length is too short, this will result in the wire not being securely attached.

*2: When mounting/removing the cable, make sure to use the dedicated tool, i.e., a tool dedicated to spring clamp terminal block, and insert the tool vertically into the hole. If a general slotted screwdriver is used instead of the dedicated tool, or the tool is not vertically inserted, the spring clamp terminal part or terminal block resin part might be broken.

(2) Cable removal

Insert the tool into the corresponding square shaped hole until it stops.
Pull the wire out of the hole completely.

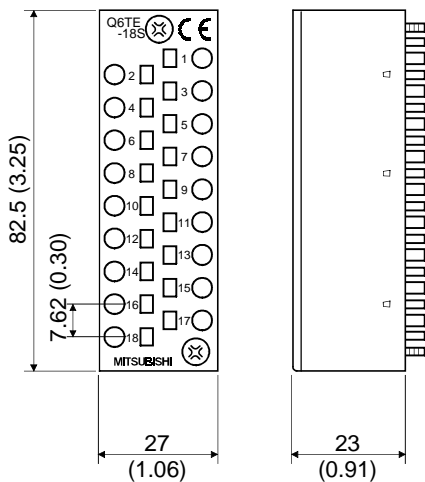
6. External Connections

The terminal numbers of the Q6TE-18S correspond to the terminal numbers on the compatible module.

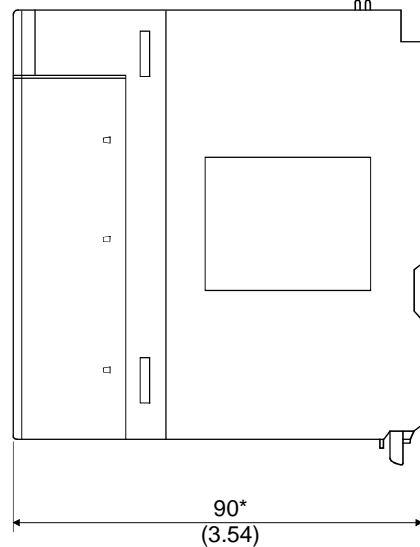
For the signal names corresponding to the terminal numbers when connected to an external device, please refer to the User's Manual of the module to use.

7. External Dimensions

Q6TE-18S



Installed on a module (Example: QX10)



Unit: mm(inch)

*: The depth of the module installed with a Q6TE-18S is equivalent with the factory default dimensions for that module.